

# LONSEAL®

## LONDECK MANUAL

©2019 Lonseal, Inc. All rights reserved.

Lonseal reserves the right to change its products' design, material, or to improve products or processes at any time without notice. Installation procedures and use of Lonseal sundries must be in strict accordance with Lonseal's technical documentation for warranty terms to be valid. Please review the most current technical information available at [www.lonseal.com](http://www.lonseal.com).

# TABLE OF CONTENTS

About This Manual .....	1
Audience and Qualifications .....	1
Document References .....	1
Figures and Details .....	1
Safety Warnings.....	1
Disclaimers.....	1
About Lonseal Products .....	2
Londeck Description and Features .....	2
Sundries .....	3
Acclimation, Handling, and Storage .....	3
Pre-Installation .....	4
Site and Substrate Conditions .....	4
Substrates and Preparation .....	6
Bond Tests .....	8
Mock-Ups.....	8
Installation .....	9
Installer Responsibility .....	9
Prior to Installation.....	9
Installing.....	10
After Installation .....	30
Protecting Londeck .....	30
Maintenance .....	30
Repairs .....	30
Contacting Lonseal .....	32
Technical Support .....	32
Tables, Details, and Figures Index .....	33

---

# ABOUT THIS MANUAL

## AUDIENCE AND QUALIFICATIONS

### AUDIENCE

Information in this manual is intended for use by exterior sheet vinyl decking contractors and specifiers.

### SHEET VINYL DECKING CONTRACTOR QUALIFICATIONS

The awarded contractor must be an established firm with experience in the installation of the specified product, and have complete access to Lonseal's required technical information and all other related or required documents. The sheet vinyl decking contractor must have completed at least three projects of similar scope, material, and complexity.

### INSTALLER QUALIFICATIONS

Londeck must be installed by someone determined by the contractor to be an experienced installer, who has specialized in the installation of work similar to that required for the project. Installation procedures must be in strict accordance with Lonseal's published technical information and should not begin until the work of all other trades has been completed. Refer to *Installer Responsibility* on page 9.

## DOCUMENT REFERENCES

All documents referenced in this manual will be per their most current revision at the time of installation. Please refer to [www.lonseal.com](http://www.lonseal.com) for the most current technical information. For all other documents, please refer to the referenced websites throughout this manual for the most current revisions.

## FIGURES AND DETAILS

Numerous figures and details are shown throughout this manual. Some figures and details are illustrative only, and may not show all installation requirements as noted in this document or required by code. None of the details or figures are to scale, and some parts shown will be exaggerated in size to enhance clarity. Please contact Lonseal's Technical Department if there are questions about the figures or details prior to beginning installation.

## SAFETY WARNINGS

Safety on the project site is critical. Read and obey all health and safety warnings on **Safety Data Sheets** (SDS) and labels.

### CHEMICAL-RELATED EMERGENCIES

For 24/7 guidance, call INFOTRAC Poison Control Hotline: Emergencies 800-535-5053

### CAUTIONS REGARDING COMPLETE FLOOR COVERING REMOVAL

When removing any type of floor covering, ensure that all applicable local, state, and federal regulations are observed. Those who undertake removal must be familiar with the most current revision of the RFCI – Recommended Work Practices for Removal of Resilient Floor Coverings, and are properly trained and licensed as required. This document is available at [www.rfci.org](http://www.rfci.org).

## DISCLAIMERS

To preserve the warranty and deliver the best possible installation, follow the instructions in this manual and all related technical information. Please review the warranty in full, and pay special attention to all disclaimers and notes throughout this manual, and all other technical information.

Londeck and all related installation products are commercial grade, intended for installation by professional installers only.

# ABOUT LONSEAL PRODUCTS

Londeck is a fully adhered, waterproof membrane listed by the ICC-ES under ESR-2091 as an approved walking deck system.

## LONDECK DESCRIPTION AND FEATURES

Londeck is available in various colors and textures. Complete product specifications can be found at [www.lonseal.com](http://www.lonseal.com).

### COMPOSITION AND CONSTRUCTION

The wear layer of Londeck is formulated to provide maximum resistance to foot traffic and easy maintenance.

Londeck is created through a calendaring process, allowing for enhanced dimensional stability. The components used in construction allow for more pliable material, resulting in flooring that is easier to work with when installing and improved comfort underfoot.

Standard product roll sizes are 6 ft. (1.8 m) wide by 60 ft. (18.3 m) long with a total thickness of 0.080 in. (2.0 mm). Select products are available in 8 ft. 6 in. (2.6 m) widths, less approximately 1 1/2 – 2 in. (3.8 – 5.1 cm) selvage at each edge.

### QUALITY CONTROL

Londeck is closely inspected for conformity throughout the manufacturing process to ensure it meets rigorous production standards. Uniform thickness and deeply saturated color ensures a long lasting and beautiful installation.

### COLOR SHADING

Because a certain degree of color variation can occur as a result of the manufacturing process, all rolls of Londeck must be installed sequentially by roll number, and all cuts must be installed in the order of their removal from the roll. DO NOT reverse the sheets when installing Londeck. Lonseal is not responsible when shading issues arise due to improper installation.

Variations in color can exist between dye lots. It is recommended that the same dye lot be used within the same space whenever possible.

### PRODUCT SAMPLES

Product samples are cut from actual Londeck and are intended to show typical pattern and color. Slight variations in color can occur between dye lots. When exact color matching is required, it is recommended that color matches be made from samples cut from the actual material that has been reserved for the project or stock on hand at Lonseal.

**Disclaimer:** Lonseal is not responsible for replacement when the color selection, based on a random sample, fails to exactly match the flooring received for installation. Refer to *Installer Responsibility* on page 9.

### DESIGN APPLICATIONS AND CONSIDERATIONS

#### *Exterior Concrete*

Prior to specifying Londeck over concrete, the slab must be tested for moisture and alkalinity per ASTM F710. The moisture detection methods noted provide an indication of moisture content, but do not guarantee that moisture related issues currently do not exist or future moisture-related issues may not occur. It is understood that these tests will not be done per the ASTM exactly as described due to their exterior location, but it is the intent of these tests to provide the installer or specifier with a general idea of the moisture content within the slab.

Exterior concrete is subject to greater fluctuations in moisture drive due to the exterior climate and elements, which can affect the bond of the Londeck system. Due to this, all concrete slabs will require the use of a moisture mitigation system (MMS) per ASTM F3010, regardless of moisture levels. Moisture testing will assist in determining the most suitable MMS to use. See *Moisture Mitigation Systems* on page 5 for additional information.

Concrete slabs must not be subject to hydrostatic pressure or ingress of moisture from sources such as faulty drains, plumbing leakage, or absorption through vertical overlays such as brick or stucco.

Refer to *Concrete Slabs* on page 5 for additional information.

#### *Roofing*

Londeck is only approved as a walking deck system, and is not intended to be used as a roofing product. Always verify with local code requirements if a walking deck system may be used over a living space, in addition to what constitutes a living space under those local code requirements.

#### *Furniture*

Furniture should be equipped with proper non-rubber, non-staining glides, protectors, or wheels that are intended for use with resilient flooring and avoid concentrating weight loads. Their surface contact area must be 1 1/2 in. (3.8 cm) diameter minimum, or approximately 1 3/4 sq. in. (11.3 cm<sup>2</sup>). Use glides, protectors, or wheels that properly distribute the load over the surface of the flooring. Excessive point loading can cause adhesive displacement or permanent damage to the flooring.

**Disclaimer:** Lonseal is not responsible for damage resulting from the use of improperly designed, inadequate, or inappropriate floor protection devices, rolling-type casters, or wheels. Any warranty for these products rests with the appliance, equipment, or furniture manufacturer. Always confirm with the manufacturer that the rolling-type casters or wheels used on their appliances, equipment, or furniture are suitable for use with resilient flooring to avoid causing permanent damage.

#### *Interior Installations*

Londeck may be installed as interior flooring. For these types of applications, refer to the **Interior Flooring Manual** for installation requirements.

## **SUNDRIES**

The following Lonseal brand sundries have been specifically chosen to be used with Lonseal flooring based on optimal performance. Refer to the individual product's technical data sheet (TDS) for more information.

- ▶ #180 DeckHold Vinyl Decking Adhesive
- ▶ #400 Contact Adhesive
- ▶ #650 Two-Component, Solvent Free Epoxy Adhesive

Additionally, the following non-Lonseal brand sundries have been tested and approved for use with Londeck by the noted manufacturer.

- ▶ Lexel® Clear Sealant
- ▶ MAPEI ECO Prim Grip™
- ▶ MAPEI Mapecem® Quickpatch
- ▶ MAPEI Primer T™

**Disclaimer:** Use of sundries not specifically recommended by Lonseal or approved for use by the product manufacturer may result in installation failure or damage to the flooring, jeopardizing appearance or performance. The suitability for use and warranty for non-Lonseal brand products will be the sole responsibility of the installer or product manufacturer.

## **ACCLIMATION, HANDLING, AND STORAGE**

### **ACCLIMATION**

The storage areas of the products listed in this manual are to be maintained between 65 – 85 °F (18.3 – 29.4 °C). Prior to installation, all products should be acclimated for 48 hours in conditions representative of the site conditions. Refer to *Site Conditions* on page 4 for additional information.

### **HANDLING AND STORAGE**

Proper storage is necessary to ensure the best performance and appearance from Lonseal products. The storage area must be indoors, clean, dry, temperature controlled, and out of direct sunlight.

Remove all rolls of flooring from the shipping pallet immediately and store standing on end. Rolls left on the pallet will develop indentations, which may be permanent if left too long. Rolls stored horizontally may also develop an oblong shape, which can result in evenly spaced humps in the flooring, which can take considerable time to relax and lay flat. These humps may become permanent if the rolls are left on their side for too long.

If transporting rolls of flooring from one location to another, and they are to be secured to a pallet or otherwise, avoid placing any straps in direct contact with the rolls or packaging. If straps are overtightened, they may leave indentations that could take a considerable amount of time to recover, or may even become permanent.

On the project site, wrap opened rolls tightly, face in, to avoid material distortion, and store standing on end.

# PRE-INSTALLATION

## SITE AND SUBSTRATE CONDITIONS

### SITE CONDITIONS

Do not install Londeck unless the site conditions are optimal. The site must be dry and should not have been flooded or exposed to excessive moisture for a minimum of two weeks prior to installation. Ambient air temperatures should be between 65 – 85 °F (18.3 – 29.4 °C), and should remain within this range throughout the installation, and for 48 hours after installation is complete. Relative humidity extremes should be avoided if possible because of their influence on proper drying and curing of substrate preparation materials and adhesives. General recommended humidity control level is between 35 – 55%.

Do not use temporary gas-fired space heaters to warm the installation area. These heaters can create emissions that contaminate the substrate and raise the relative humidity level, and carbon dioxide from the exhaust can create a condition called carbonation on the surface of concrete, requiring it to be mechanically cleaned.

Portable, electric space heaters or cooling fans are not recommended for use in conditioning the installation area. Both types of equipment are not able to consistently maintain the environmental conditions needed for a proper installation. Additionally, they can create concentrated areas of hot or cold, dry air that will impact the curing of substrate preparation materials, and can result in inconsistent open and curing time of adhesives.

### Dew Point

Determining the dew point is critical to Londeck installation. The dew point is the temperature at which moisture will condense on the substrate. Adhesives and Londeck should not be applied unless the substrate temperature is a minimum of 5 °F above this point. The temperature must remain above this during the full curing process of 72 hours. Use the dew point calculator below to determine the dew point, prior to installation.

Dew Point Calculator (°F)									
Relative Humidity	Ambient Air Temperature (°F)								
	60	65	70	75	80	85	90	95	100
95%	58	63	68	73	78	83	88	93	98
90%	56	61	66	71	76	81	86	91	96
85%	55	60	65	70	75	80	85	90	95
80%	53	58	63	68	73	78	83	88	93
75%	51	56	61	66	71	76	81	86	91
70%	49	54	59	64	69	74	79	84	89
65%	47	52	57	62	67	72	77	82	87
60%	46	51	56	61	66	71	76	81	86
55%	44	49	54	59	64	69	74	79	84
50%	42	47	52	57	62	67	72	77	82
45%	40	45	50	55	60	65	70	75	80
40%	38	43	48	53	58	63	68	73	78
35%	37	42	47	52	57	62	67	72	77
30%	35	40	45	50	55	60	65	70	75
25%	33	38	43	48	53	58	63	68	73
20%	31	36	41	46	51	56	61	66	71
15%	29	34	39	44	49	54	59	64	69
10%	28	33	38	43	48	53	58	63	68
5%	26	31	36	41	46	51	56	61	66

**Example:** If the ambient air temperature is 75 °F and the relative humidity is 55%, then the dew point is 59 °F. No installation should occur unless the substrate temperature will remain above 64 °F (5 °F above the dew point) for the entire duration of the installation and 48 hours afterward.

### SUBFLOOR AND SUBSTRATE CONTAMINATION

Take precautions to ensure that the subfloor or substrate is not contaminated. Contamination can include, but is not limited to, applications of curing compounds, dyes, inks, paints, sealers, or sweeping with oil-based products. All surface contaminants must be removed and abated prior to installing the flooring. If contaminants are present they must be mechanically removed per ASTM F710 or ASTM F1482.

## SUBSTRATE REPAIR

All existing substrates must be sufficiently repaired prior to installation, resulting in a substrate that can be considered in "as new" condition. This may include, but is not limited to, the following steps to ensure this condition is met:

- ▶ Fill and make smooth any abandoned pipe or conduit holes in slabs using fast setting Portland cement.
- ▶ Holes in plywood panels require that both the affected areas of the underlayment and subfloor be sawn out and replaced with new material.
- ▶ Repaired substrates must be blocked, fastened, sanded, and smoothed, as needed, to restore the structure and floor components to "as new" condition.
- ▶ Fill or level minor surface cracks, grooves, and other irregularities using an approved patching compound. Refer to *Patching Compounds* on page 8.

## CONCRETE SLABS

All concrete slabs, whether existing or new, must conform to the requirements of ASTM F710, including moisture testing and preparation, prior to installation of Londeck. Slabs containing lightweight aggregate, excess water, or concrete on metal decking may require longer drying time than on-grade slabs. Refer to *Exterior Concrete* on 2 for additional information.

### *Minimum Smoothness ( $F_T/F_L$ )*

Concrete slabs must conform to the requirements of ACI 302 and be within the tolerances of ACI 117. ACI 117 specifies that overall conformance to design grade must be within 3/4 in. (19.1 mm) of design elevation. Prior to installation, the installer must obtain a report from the project general contractor stating that the substrate has been tested in accordance with ASTM E1155.

### *Moisture and Alkalinity Testing*

Lonseal requires that moisture and alkalinity testing be performed and documented by an accredited engineering firm, laboratory, or person prior to the installation date so that corrective measures can be performed as necessary. The flooring contractor is to ensure testing has been completed prior to initiating installation. If necessary, a certified concrete slab moisture testing technician (CCSMTT) can be located at [www.icri.org](http://www.icri.org).

In all forms of concrete, moisture drive can carry alkaline salts to the surface which can chemically react with the adhesive, eventually destroying the bond. The presence of alkaline concentrations can indicate elevated moisture vapor emission.

Regardless of age or grade level, testing for moisture and alkalinity must be conducted in strict accordance to the following three, required tests:

**ASTM F1869:** calcium chloride test

**ASTM F2170:** relative humidity test

**ASTM F710:** alkalinity test

Be aware that testing per the above standards applies to a single concrete slab. For installations that will occur across multiple slabs, each must be tested separately. All three tests are required in order to provide the flooring contractor with the most data possible, so that fully informed decisions can be made.

**Disclaimer:** Test results can only indicate the slab condition at the time of testing. Moisture vapor emissions are subject to seasonal fluctuations and site conditions, and any subsequent damages are beyond the control of Lonseal. Installation of the flooring constitutes acceptance of the slab and acknowledgement by the general contractor, flooring contractor, architect, design team, or building owner that the slab or substrate meets all Lonseal requirements and recommendations for site conditions. Reports that are completed by an unaccredited or uncertified source, contain insufficient documentation, or performed incorrectly (except as noted under *Exterior Concrete* on 2) will not be considered by Lonseal.

### *Vapor Retarders*

Vapor retarders must always be used beneath new on- or below-grade concrete slabs per ASTM E1745. For existing on- or below-grade slabs, the presence of a vapor retarder must be verified.

### *Moisture Mitigation Systems*

The slab's moisture test results should be utilized to determine which MMS is most suitable. This can be done by contacting the MMS manufacturer for their recommendations. When contacting the manufacturer they should also be informed whether a vapor retarder is present or not, and confirm the compatibility of their product with Lonseal adhesives and any substrate preparation materials used. Refer to *Patching Compounds* on page 8. All installed MMS must meet the requirements of ASTM F3010.

**Disclaimer:** The installer is responsible for confirming compatibility of all components in a walking deck system. The use of a bond test can help assure the installer of compatibility between the flooring system components and the MMS. Refer to *Bond Tests* on page 8.

#### *Expansion Joints and Control Joints*

Expansion joints are gaps between adjacent slabs, and allow independent movement of each slab. Do not install any flooring over expansion joints. Make sure the flooring stops short of the expansion joint, and install a suitable transition cap or threshold. This product should be designed to permit slab movement, while preserving the quality of the installation and preventing damage to the flooring. Application of a 3 in. (7.6 cm) band of #650 epoxy adhesive beneath the flooring adjacent to the expansion joint is required to minimize dimensional changes of the flooring and moisture intrusion.

Control joints are designed to control cracking during slab movement. Following the manufacturer's directions, open, clean, and fill chase cuts, control joints, and saw cuts with an approved patching compound. Refer to *Patching Compounds* on page 8.

**Disclaimer:** Lonseal is not liable for damage resulting from telegraphing of any substrate disfigurement or hazard due to installations over control joints, cracks, or expansion joints.

#### OLD ADHESIVE RESIDUE

Different kinds of adhesives can react adversely to each other. This can result in chemical reactions that cause adhesive emulsification, bond failure, indentations, or staining of the flooring.

The slab must be thoroughly cleaned to remove all contaminants and adhesive residues through mechanical methods only.

**Note:** Read warnings regarding removal of old cutback adhesives as published in the most current revision of RFCI – Recommended Work Practices for Removal of Resilient Floor Coverings. This document is available at [www.rfci.org](http://www.rfci.org).

## **SUBSTRATES AND PREPARATION**

All substrates and preparations must be per ASTM F2678.

### WOOD SUBFLOORS

#### *Structural Requirements*

The system must be composed of double-layer construction, and must be smooth, sound, and made of solid, exterior grade plywood with a minimum overall thickness of 7/8 in. (22.2 mm). All panels used must meet the criteria set forth by APA – The Engineered Wood Association. Refer to the most current APA Document E30 for additional information on selection, placement, and installation. A list of manufacturers who provide plywood panels meeting the requirements noted in this manual can be found at [www.apawood.org](http://www.apawood.org).

All subfloors panels (bottom layer) must be 5/8 in. (15.9 mm) thick minimum, and classified as APA Panel Subflooring. Panel thickness must increase for joist spans over 16 in. (40.6 cm) on center to minimize deflection.

Underlayment panels (top layer) must be 1/4 in. (6.4 mm) thick minimum and meet the requirements noted in *Underlayment Panel Selection* below.

Other requirements are as follows:

- ▶ Provide a minimum of 18 in. (45.7 cm) well-ventilated air space, measured from the bottom of the floor joists to the top of grade.
- ▶ Provide a 0.004 in. (4 mil or 0.1 mm) polyethylene membrane on grade, with a 6 in. (15.2 cm) overlap at the seams, as a ground moisture barrier where necessary.
- ▶ Provide insulation as required by code.

#### *Underlayment Panel Selection*

Londeck must only be installed over panels that are exterior underlayment grade, tongue-and-groove plywood, which comply with the U.S. Department of Commerce Product Standard PS-1. Plywood panel selection, conditioning, installation, and preparation must conform to ASTM F1482. Installations over any other type of underlayment panel, including, but not limited to, Luan, OSB, fiber-cement panels, gypsum fiber panels, particleboard, hardboard, waferboard, MDF, or HDF, can result in installation or performance issues, and will not be covered by the warranty.

- ▶ Do not attempt to install Londeck on plywood panels that are wet, not properly acclimated, pressure-treated, or fire-retardant treated.



- ▶ Do not install Londeck on underlayment panels that are fastened or adhered directly to concrete.

#### *Underlayment Panel Fasteners*

Use ring shank fasteners, such as annular-grooved or screw shank nails, or staples which are exterior rated. Avoid resin coated nails and staples, as these items can move within the panel, resulting in nail pops and squeaks. Make sure the fastener length does not exceed the combined thickness of the underlayment and subfloor panels.

For staples, use the correct fastening schedule as detailed in the ICC-ES ESR-1539, available at [www.isanta.org](http://www.isanta.org).

Screws are recommended only on panels 3/8 in. (9.5 mm) and thicker. They should be exterior rated, properly spaced, countersunk, and filled with an approved patching compound. Refer to *Patching Compounds* on page 8.

**Note:** Never use cartridge-type construction adhesives as a replacement for fasteners when installing underlayment panels. Fumes from some construction-type adhesives can cause discoloration and damage the flooring.

## CONCRETE SUBFLOORS

All concrete subfloors must meet the requirements of ASTM F710 and have a minimum density of 100 lbs./ft<sup>3</sup> (1842 kg/m<sup>3</sup>) and minimum compressive strength of 3500 psi (24.1 MPa). Refer to *Concrete Slabs* on page 5 for additional information.

#### *Steel-troweled Concrete*

If the concrete has a dense steel-troweled surface, it should be mechanically abraded, by diamond grinding or shot blasting, to provide a surface optimized for adhesion.

#### *Cracks and Joints*

Repair all cracks in new and old concrete. Large dormant cracks, such as those typically found due to settling, or control joints should be cleaned out, opened up with a crack chaser where necessary, and patched with an approved patching compound. Refer to *Patching Compounds* on page 8. If a crack is too large for patching or extends entirely through the concrete slab, it should be repaired using epoxy injection or another suitable method as recommended by ICRI.

## FIBERGLASS AND METAL

Ensure either type of substrate is sound, dry, and free of contaminants and debris, including, but not limited to: curing compounds, dirt, dust, grease, loose paint, sealers, wax, and other foreign matter such as rust or oxidation. Additionally for metal, apply denatured alcohol to a clean cloth and wipe the surface to remove any additional contaminants. Always use caution when working with denatured alcohol.

Lightly abrade the surface with 60 grit sandpaper, then brush or vacuum, prior to applying the adhesive.

**Note:** Do not use acrylic or latex based adhesives over either of these substrates.

## EXISTING DECKING

To achieve an optimal installation, Lonseal recommends complete removal of any existing decking prior to installation. In some instances, other measures may be available for situations where the existing decking cannot be removed, as noted below. For existing decking not noted below, they must be removed in their entirety, without exception.

**Disclaimer:** Lonseal makes no guarantee of the compatibility between Lonseal flooring and the existing decking. It is up to the installer to confirm compatibility. It is highly recommended that the manufacturer of the substrate preparation materials be contacted for their recommendations, and to perform a bond test (refer to *Bond Tests* on page 8).

#### *Existing Fluid-Applied Coating or Adhered Membrane:*

- ▶ If the existing covering is solid, well-adhered, and applied over a wood subfloor system with a minimum thickness of 5/8 in. (15.9 mm), it may be encapsulated using 1/4 in. (6.4 mm) thick minimum plywood underlayment panels. Refer to *Underlayment Panel Selection* on page 6.
- ▶ If the existing covering is over concrete, it must be removed in its entirety using mechanical methods only, and prepared as noted under *Concrete Subfloors* on page 7.

#### *Existing Plank Decking:*

- ▶ If the existing planks are a minimum 5/8 in. (15.9 mm) thick, solid, secure, and free of defects, 1/4 in. (6.4 mm) thick minimum underlayment panels may be attached directly to the existing planks. Refer to *Underlayment Panel Selection* on page 6.

## UNSUITABLE SUBSTRATES

Substrates not specifically mentioned in this manual are not suitable for use with Londeck and could result in installation or performance failure.

## PATCHING COMPOUNDS

Lonseal recommends MAPEI Mapecem® Quickpatch for smoothing and filling indentations, plywood joints, minor cracks, and control joints for all Londeck installations. This product may be installed from a featheredge to 3 in. (7.6 cm) thick. Follow the manufacturer's recommendations for installation.

### *Primer*

Primer is recommended to be used beneath the patching compound to help ensure a strong bond to the substrate and the patch. Either MAPEI Primer T™ or MAPEI ECO Prim Grip™ may be used depending on the site conditions and requirements. Follow the manufacturer's recommendations for installation.

## **BOND TESTS**

Lonseal always recommends that a bond test be performed, regardless of substrate or underlayment. A bond test will help the installer to test the overall bond and compatibility of the flooring system, which includes the primer (if used), patching compound or self-leveler, and adhesive. The bond test should be performed at various locations throughout the installation area by adhering 2 ft. x 2 ft. (0.6 m x 0.6 m) minimum pieces of flooring following the installation instructions detailed in this manual. Allow a full 72 hours for the adhesive to cure. Removal of the flooring should be difficult, and there should be some form of cohesive failure between various components of the flooring system. If failure occurs solely at one level of the installation, there may be an issue and the manufacturers of the products involved should be consulted.

**Note:** For small scale or specialty projects, the test size may need to be adjusted, but should still be sufficient to ensure compatibility.

## **MOCK-UPS**

Prior to installing Londeck, mock-ups can be used for approval by the end user or specifier. A mock-up must show the actual product as it will ultimately look installed and should present every finish detail, such as:

- ▶ Overlap welds
- ▶ Flash coving, including inside and outside corners
- ▶ Deck edge conditions
- ▶ Drains or gutters

# INSTALLATION

Londeck must be installed in strict accordance with the requirements and recommendations noted throughout this manual and any other technical information related to the installation, including **Technical Data Sheets** (TDS) and **Details**. Always ensure the most current revision of the document is being used. This includes printed labels and documentation included with adhesives and sundries, as revisions may have been made since their last printing. For these products, their TDS will supersede the information on the label or insert when it differs. All related products not branded by Lonseal must be installed per those manufacturers' current instructions. Failure to do so may result in a failure of the walking deck system to perform as intended.

## INSTALLER RESPONSIBILITY

Although Lonseal products are closely inspected prior to shipping, if a defect becomes evident that cannot reasonably be worked around during the course of installation, STOP the installation and notify your supplier or Lonseal sales representative immediately.

The installer must verify that all products are correct for the project, and ensure that the pattern, color, style, and lot numbers match those called for in the finish schedule as specified for the project. The installer must also verify that the site conditions will permit installation per Lonseal's requirements. Installation of any Lonseal product constitutes acceptance of those products and all site-related conditions by the installer.

Before beginning the project, the installer should become familiar with all technical documents related to the installation, including Lonseal's documents (manual, installation guides, TDS, SDS, bulletins, etc.) and documents from the manufacturers of all other products used for the installation. Further, the installer should become familiar with the tools and products to be used (adhesives, heat guns and nozzles, patching compounds, self-leveling underlayments, trowels, etc.). It is critical that all instructions for these products be thoroughly reviewed, noting all cautions, disclaimers, and warnings.

## PRIOR TO INSTALLATION

Store all products in conditions similar the installation location for a minimum of 48 hours prior to installation, with the flooring being kept in its packaging and standing on end. Storage and acclimation temperature must be between 65 – 85 °C (18.3 – 29.4 °C), with the relative humidity between 35 – 55%. The optimal acclimation environment will be the same as the one the Londeck will occupy during installation.

**Note:** If the Londeck is not allowed to acclimate properly, expansion or contraction of the flooring may occur after installation.

After acclimation, unroll and allow the Londeck to lay flat. This process may require up to 8 hours, depending on previous storage temperature, acclimation temperature, and how tightly wound the material was on the roll. Allow extra length when cutting, as shrinkage may occur if temperatures are unstable from acclimation to installation.

**Disclaimer:** Lonseal accepts no responsibility for dimensional changes to Londeck when it is cut off site and then brought to the installation location. The amount of change will depend on the environment in which the flooring is cut versus the environment in which it is installed. Keeping the material acclimated in similar, if not the same, environments can help reduce or eliminate this natural occurrence, as can cutting the material slightly larger than needed, and trimming to the correct size just prior to installation.

## LAYING OUT

When removing Londeck from the roll, always mark the back to note the roll direction with a pencil. DO NOT use marker, as the dye or ink can bleed to the surface of the Londeck and cause permanent discoloration. When removing cuts, it is also important to indicate the order each cut was removed from the roll on the back of the flooring.

Londeck must be installed sequentially by roll number and all cuts must be installed in the order they are removed from the roll and in the same direction. Proper indication made on the back of the Londeck will help ensure that material moved during or after layout does not get mixed up prior to installation. DO NOT reverse the sheets when installing.

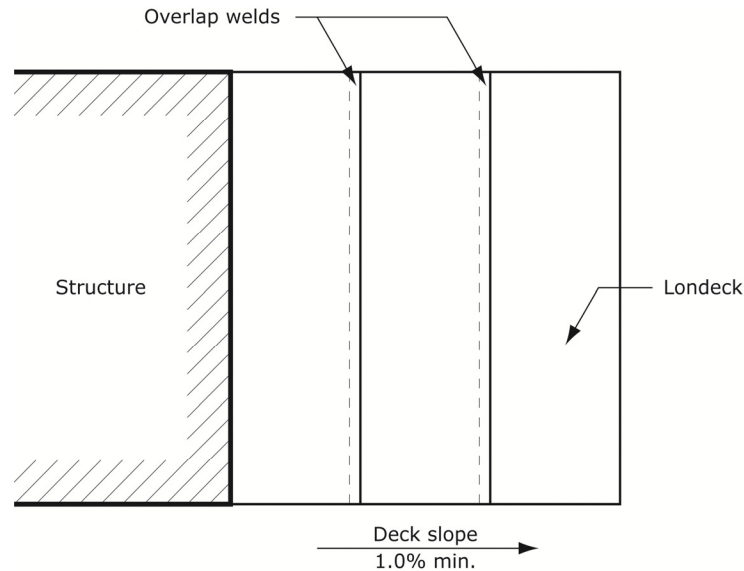
**Disclaimer:** Lonseal is not responsible when shading issues arise due to improper installation. Variations in color can exist between dye lots, and it is recommended that the same dye lot be used within the same installation area.

Lay out the flooring so that seams are kept out of high traffic locations whenever possible. Avoid placing seams at pivot points, if known. Mark the locations of the seams on the substrate using a pencil or chalk line only. DO NOT use marker, paint, or any other surface contaminant on the substrate as it can leech into the backing layer of the flooring, and then bleed through to the surface and cause permanent discoloration.

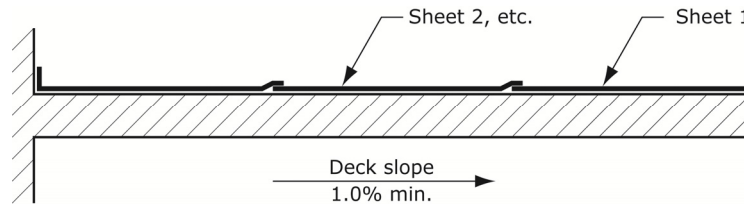
Seams are ideally located perpendicular to the slope. Use full sheets whenever possible to avoid cross- or head-seams. These types of seams require an installer sufficiently skilled at overlap welding to ensure they are structurally sound and aesthetically pleasing, and having three levels of Londeck in one area will create a high point, potentially affecting drainage or experience uneven wear.

Allow for possible contraction when making cuts, and leave approximately 1 1/2 in. (3.8 cm) at all seam locations for the overlap welds. Refer to *Overlap Welds* on page 11 for additional information.

When placing multiple sheets, begin at the bottom of sloped areas and install the sheets upslope as shown in **Figure 1** and **Figure 2**.



**Figure 1**



**Figure 2**

## **INSTALLING**

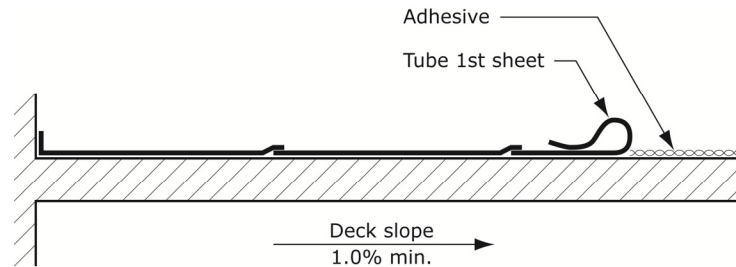
### GENERAL INSTALLATION

For all adhesives and other sundries, refer to the corresponding **Technical Data Sheet** (TDS) for complete installation information and guidelines.

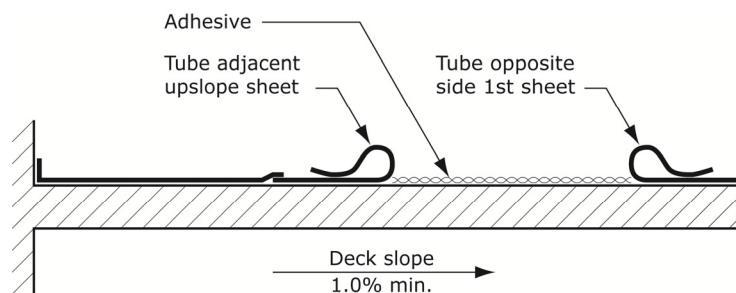
1. Make relief cuts as necessary to fit the floor to the installation area.
2. Beginning with the sheet at the bottom of the slope, tube (gently fold the flooring over itself lengthwise) the lower half upslope. Take care, and keep the radius large when tubing the material. Failure to do so could result in damage to the Londeck, and visual imperfections may appear on the surface. See **Figure 3**.
3. Spread the appropriate adhesive(s) over the substrate, and place the Londeck into the adhesive. Both the #180 and #650 are wet-set adhesives. Limit the amount of adhesive applied to only cover the area of Londeck that can be installed within the maximum open time of the adhesives, to ensure a good bond.

4. After anchoring the first section down, tube the other half of the sheet, and the adjacent, upslope sheet, if present. Spread the adhesive over the substrate and seam location. Place the Londeck into the adhesive, placing the upslope portion last to ensure proper overlap weld orientation. See **Figure 4**.
5. Continue until the entire area is fully adhered and roll in both directions with a minimum 100 lb. (45.4 kg), three-section roller.
6. Complete the overlap welds as noted under *Overlap Welds* on page 11.

**Note:** For small installations, a full spread of #650 may be used in lieu of both the #180 and #650. This could help save on waste if there would be minimal #180 used.



**Figure 3**



**Figure 4**

## OVERLAP WELDS

Londeck must be overlap welded to ensure the installation is waterproof, and is the only approved seaming method. This process uses heat to fuse one sheet to another. If unfamiliar with overlap welding, use scrap material to practice prior to installation. Unless noted otherwise, all overlaps must be a minimum 1 1/2 in. (3.8 cm) wide.

1. Attach either the sieve nozzle (ZZ30B2T) or wide slot nozzle (ZZ30B1) to a heat welding gun, and preheat it to between 700 – 750 °F (371.1 – 398.9 °C).
2. Insert the nozzle between the two overlapped sheets, and begin moving the nozzle along the seam at a smooth, steady pace. Follow immediately behind with a silicone hand roller (ZZ22) to apply pressure and ensure a good bond. With the sieve nozzle, this process may be able to be completed in one pass along the seam. Use of the wide slot nozzle may require multiple passes to ensure complete fusion across the seam's width. See **Figure 5a** and **Figure 5b**.
3. Verify the seam has been fully fused along the length of the seam, and repair any fish-mouths or gaps by reinserting the nozzle and applying pressure with the silicone hand roller.
4. Once the seam has been fully fused, use the wide slot nozzle and the Teflon roller (ZZ748) to bevel the edge of the overlapped Londeck. Doing so creates a smooth transition and further seals the top edge of the Londeck sheet. See **Figure 5c**.

**Note:** The material may appear shiny at the area around the seam due to the heat being applied. This shine will diminish over time. If the material is excessively shiny, reduce the heat or move the heat welding gun quicker along the seam, while still ensuring full fusion.

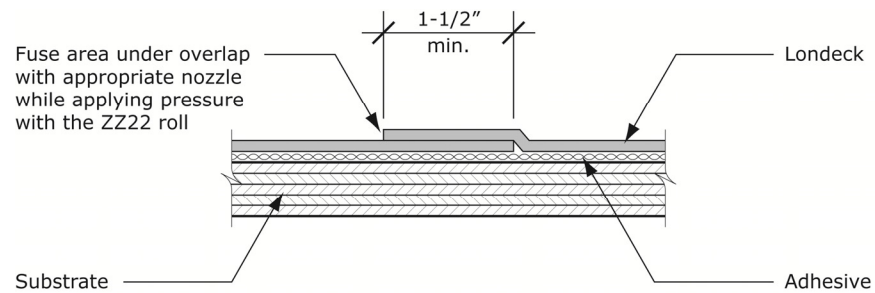


Figure 5a



Figure 5b

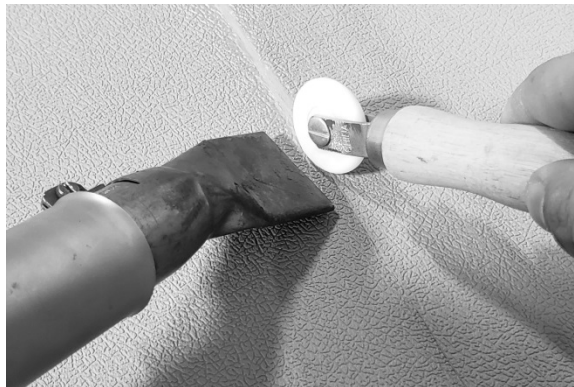


Figure 5c

## SEALANT

For all references to sealant in this manual, Lonseal recommends the use of Lexel® Clear Sealant. Whenever using this sealant, always ensure that all surfaces are clean prior to application, in order to provide a good bond. A continuous bead of sealant must be applied at all exposed edges of Londeck or as noted in this manual.

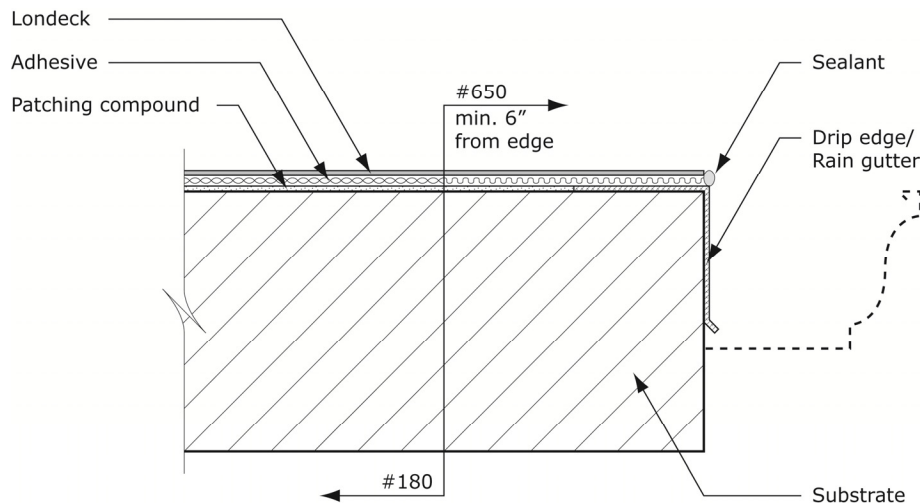
**Note:** Lexel® Clear Sealant has been fully tested for compatibility with Londeck. Use of another type of sealant may result in an installation failure and is not recommended. If an alternative sealant is used, it must be compatible with sheet vinyl.

## DECK EDGE TERMINATIONS

*Drip Edge/Rain Gutter (Detail 1)*

1. Secure the metal drip edge using suitable fasteners 6 in. (15.2 cm) on center.
2. Where the drip edge will be covered by the Londeck, apply denatured alcohol to a clean cloth and wipe the surface to remove any contaminants. Always use caution when working with denatured alcohol. Then lightly abrade the metal with 60 grit sandpaper and brush or vacuum prior to applying the adhesive.
3. Apply the #650 in a minimum 6 in. (15.2 cm) wide band along the length of the edge. Use the #180 for the remaining areas in the field.
4. Place the Londeck into the adhesives.
5. Trim the Londeck flush with the edge and secure it with 2 in. (5.1 cm) wide masking or painter's tape to hold the material in place while the #650 cures. If experiencing end curl that the tape cannot fully overcome, place plywood along the edge and weigh it down until the adhesive has cured.
6. Once the #650 has cured, remove the tape and apply a bead of sealant at the exposed edge of the Londeck.

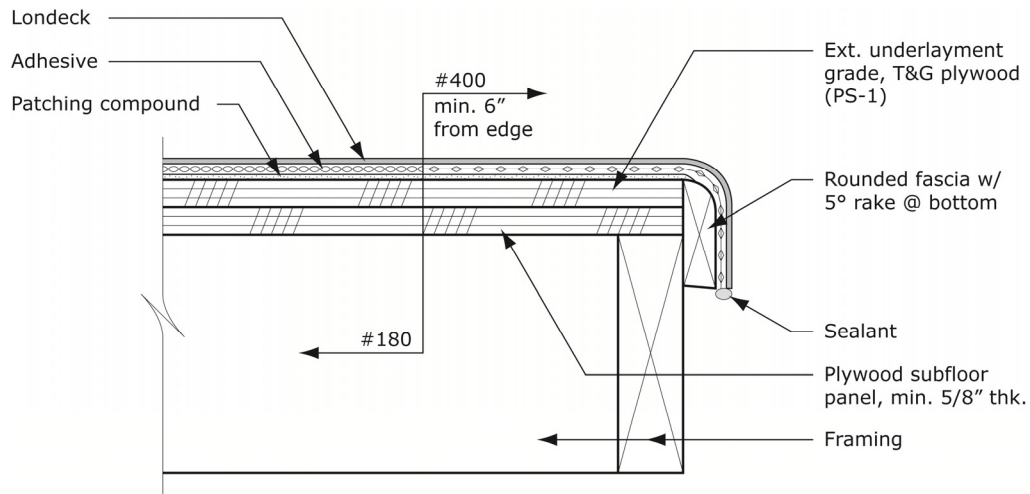
**Note:** In addition to the fasteners, it may be necessary to embed the drip edge into sealant to ensure it does not pull away from the substrate. The use of vinyl coated flashing, in order to weld the Londeck directly to it, is not recommended. The thickness of this coating is usually insufficient to properly fuse with Londeck at the required temperatures. If using vinyl coated or pre-painted flashing, ensure the coating is well bonded to the metal and install following the same procedure noted above.



**Detail 1 –Drip Edge/Rain Gutter**

*Upholstered Edge (Detail 2)*

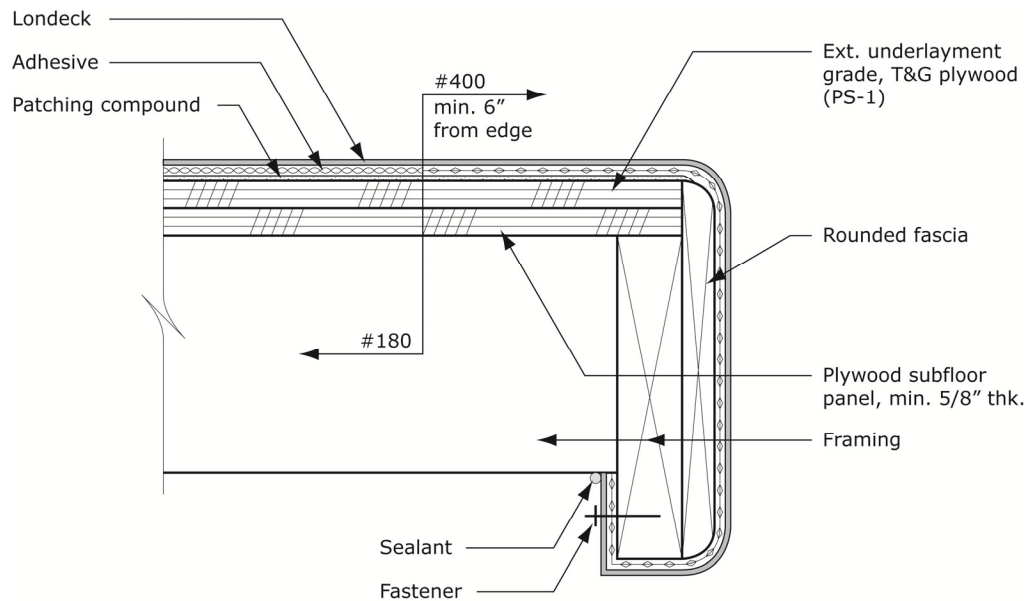
1. Make a solid wood fascia with a rounded edge and 5° rake at the bottom. The fascia board should be a minimum 3/4 in. thick (19.1 mm) and 3 in. (7.6 cm) high. Prime or paint the bottom face, and attach using appropriate fasteners.
2. Beginning 6 in. (15.2 cm) from the edge, apply the #400 down over the face of the fascia, and to the back of the Londeck. Use the #180 for the remaining areas in the field.
3. After allowing for sufficient open time, place the Londeck into the adhesives, using a hand roller at the fascia board. Note that the #400 is not a wet set adhesive, so the application of the #180 is best done after applying the #400 to ensure open times are not exceeded.
4. Trim the Londeck flush with the bottom of the fascia board and apply a bead of sealant at the exposed edge.



**Detail 2 – Upholstered Edge**

*Wrapped Fascia (Detail 3)*

1. Make a solid wood fascia rounded at both edges. The fascia board should be a minimum 3/4 in. thick (19.1 mm). Attach using appropriate fasteners, 8 in. (20.3 cm) on center.
2. Beginning 6 in. (15.2 cm) from the edge, apply the #400 down over the face and around to the backside of the fascia, and to the back of the Londeck. Use the #180 for the remaining areas in the field.
3. After allowing for sufficient open time, roll the Londeck into the adhesives, using a hand roller at the fascia board. Note that the #400 is not a wet set adhesive, so the application of the #180 is best done after applying the #400 to ensure open times are not exceeded.
4. After wrapping the Londeck around to the backside of the fascia, use approved fasteners to secure the Londeck and apply a bead of sealant at the same location.



**Detail 3 – Wrapped Fascia**



## FLASH COVING AND CORNERS

*Flash Coving*

All coving of Londeck must be adhered with #400. The details used will depend on the installation conditions.

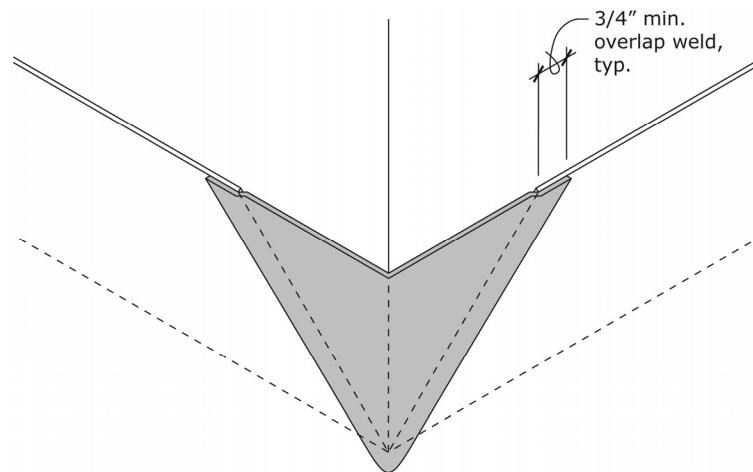
While not shown in the details, a boot may also be used. If using a boot, the vertical portion must still be installed and terminate as shown, and must have a minimum 1 1/2 in. (38.1 mm) wide overlap weld at the horizontal location.

Though use of a cant strip or cove stick is not required, they may still be used, modifying the appropriate details as necessary. In these instances, the #400 would be used over the face of the cant strip or cove stick, in addition to the vertical surface, and at the back of the Londeck.

**Attention:** The #400 is flammable. For safety reasons, do not use or operate the heat gun around uncured #400 or while the container is open.

*Outside Corners*

1. Miter cut the Londeck for the outside corner. Using additional material, cut a piece into a "V" shape to fill the gap created, allowing for a minimum 3/4 in. (19.1 mm) overlap. See **Figure 6**.
2. Install the Londeck in the horizontal areas, and apply #400 to the vertical surfaces and the back of the Londeck, including the back of the "V" piece, making sure to leave the overlap portions free of adhesive.
3. After allowing for adequate open time, roll the Londeck into the adhesive using a hand roller, placing the "V" piece last.
4. Once the #400 has cured, complete the overlap welds.



**Figure 6**

*Inside Corners*

1. Install Londeck in the horizontal areas.
2. Pull the excess Londeck away from the vertical surface. See **Figure 7a**.
3. Push one side of the Londeck into the corner, creating a triangular shape of Londeck sticking out of the corner.
4. At one side only, cut the Londeck from the deck surface upward, along the inside corner.
5. Unfold the excess material and cut it leaving a 3/4 in. (19.1 mm) minimum overlap.
6. Apply #400 to the vertical surfaces and the back of the Londeck, making sure to leave the overlap portion free of adhesive.
7. After allowing for adequate open time, roll the Londeck into the adhesive using a hand roller, installing the portion with the overlap last.
8. Once the #400 has cured, complete the overlap weld. See **Figure 7b**.

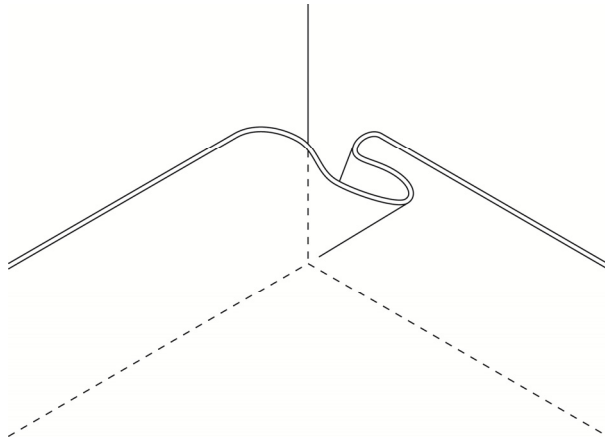


Figure 7a

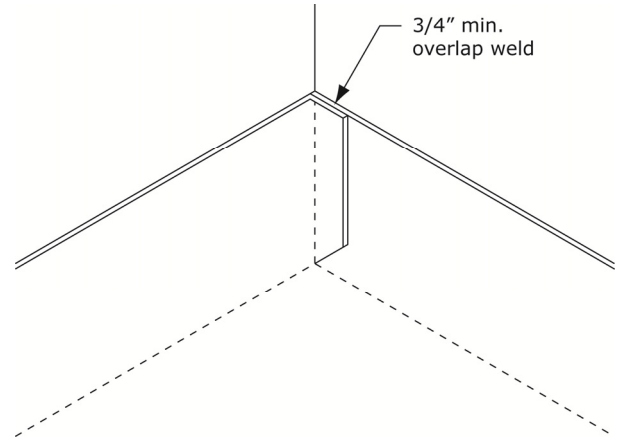
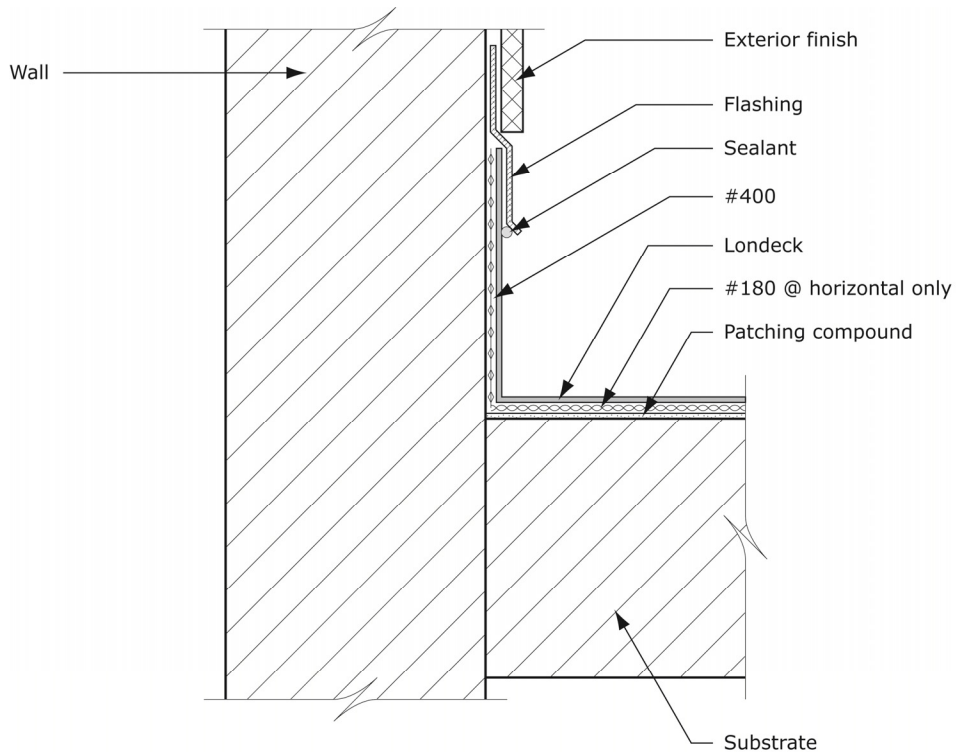


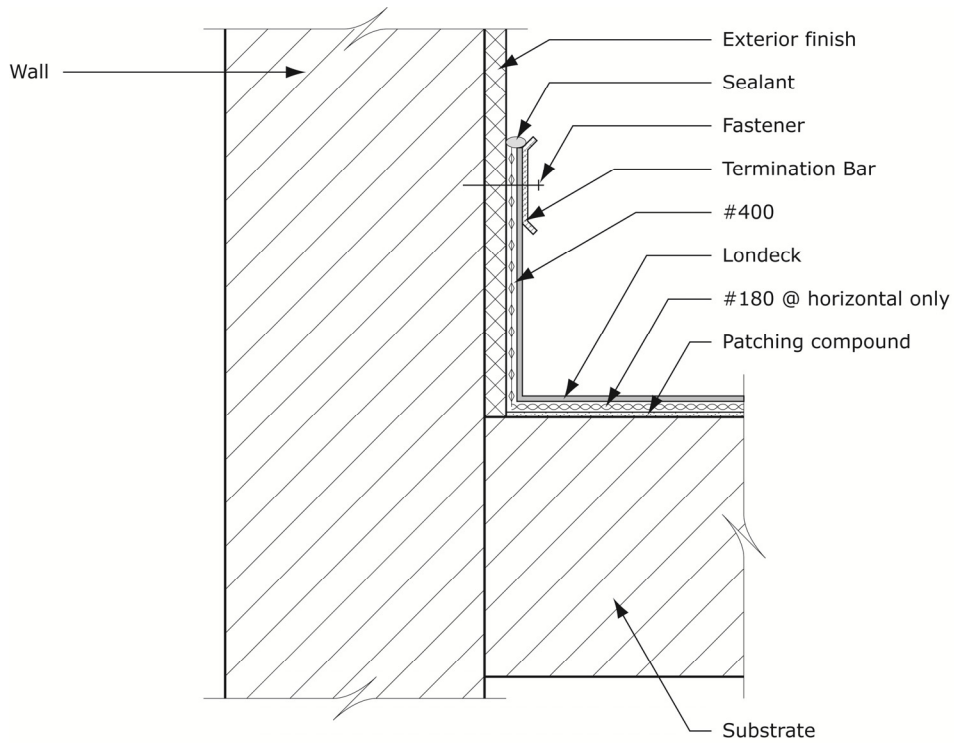
Figure 7b

*Vertical Terminations*

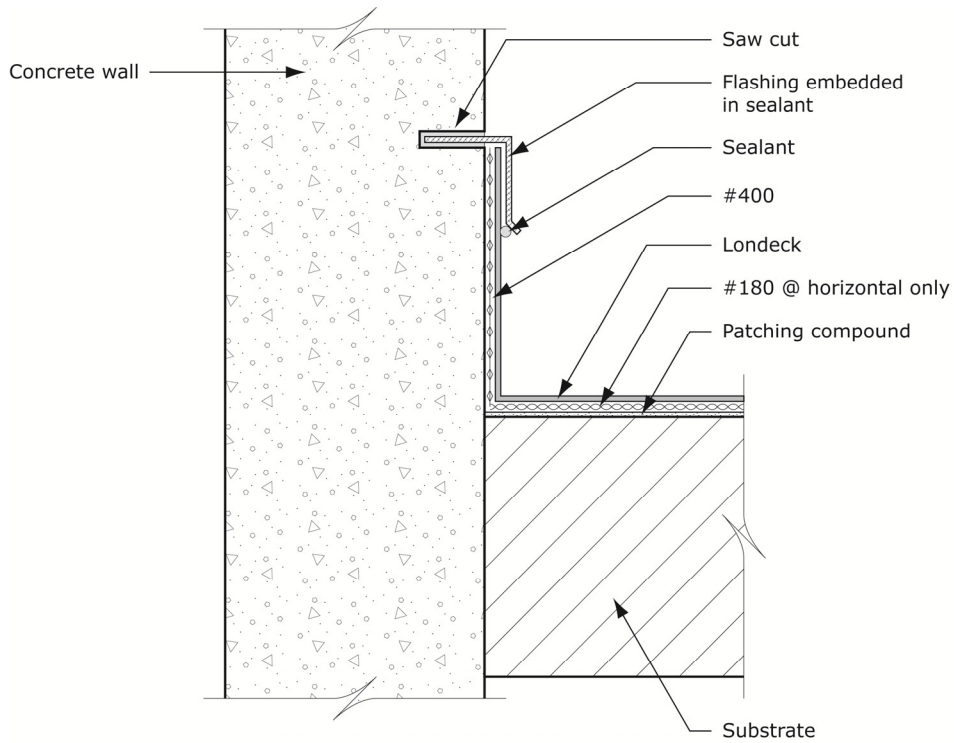
Ensure the Londeck is terminated behind flashing whenever possible. This will provide the best performing installations. If this is not possible, the Londeck must be terminated a minimum of 4 in. (10.2 cm) above the floor, and a bead of sealant must be applied at the exposed edges of the Londeck. **Details 4 through 8** on the following pages show various wall conditions and termination methods.



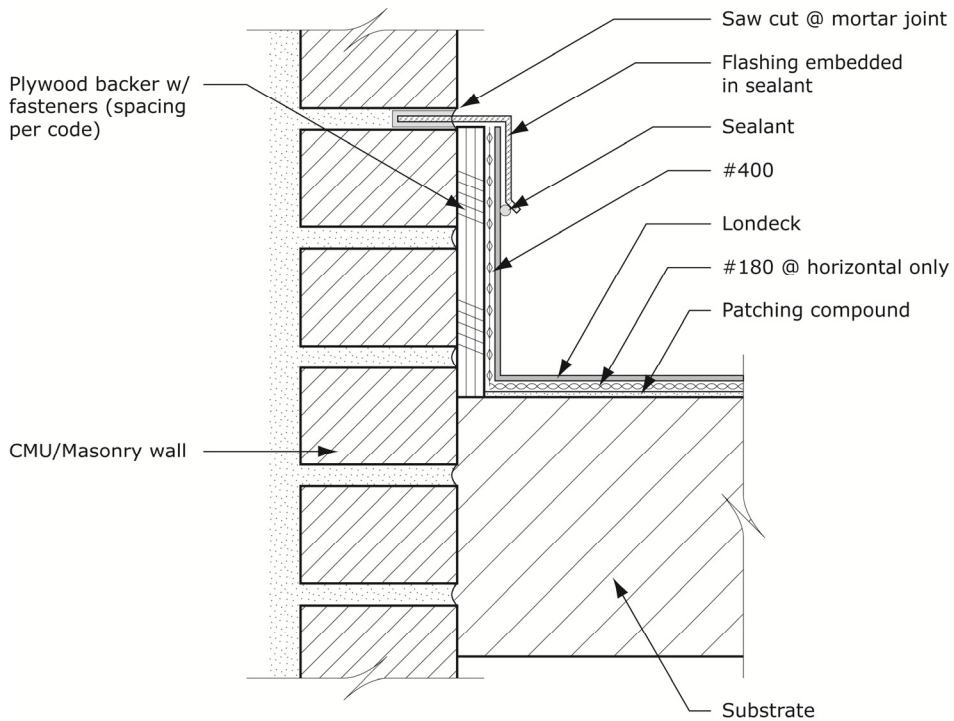
**Detail 4 - Vertical Termination**



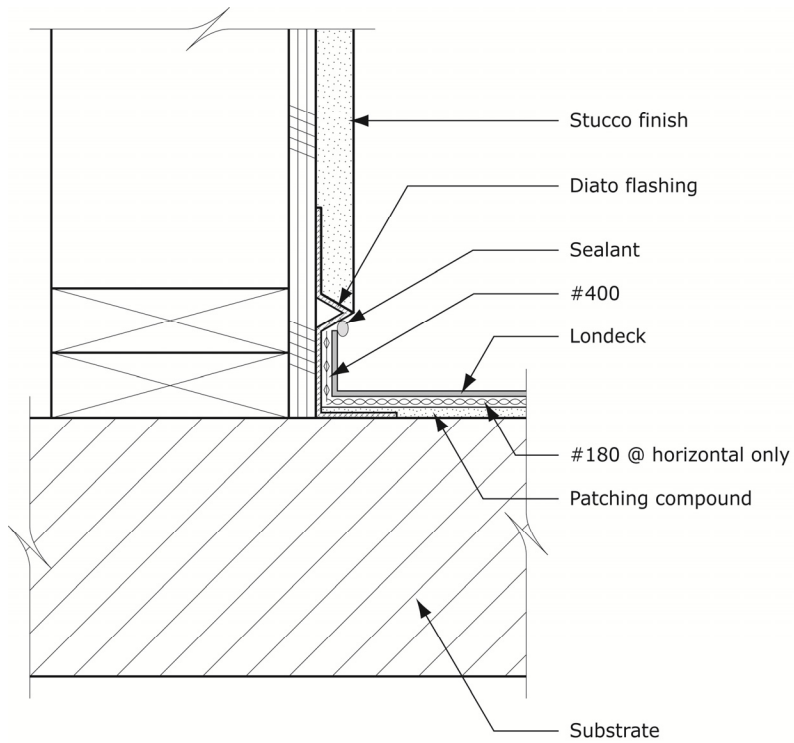
**Detail 5 – Vertical Termination @ Termination Bar**



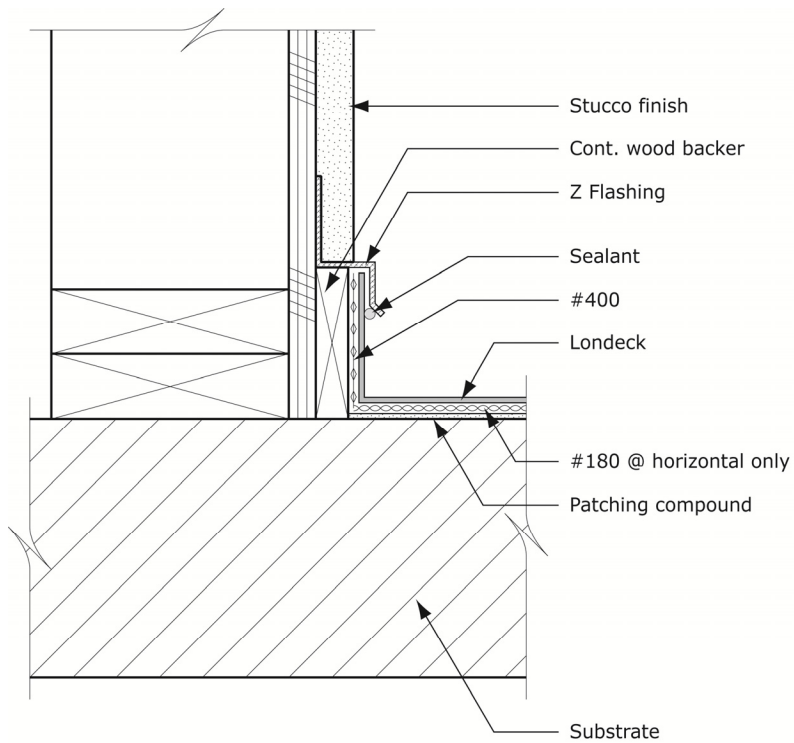
**Detail 6 – Vertical Termination @ Concrete Wall**



**Detail 7 – Vertical Termination @ Masonry/CMU Wall**



**Detail 8a – Vertical Termination @ Stucco Finish: Diato Flashing**

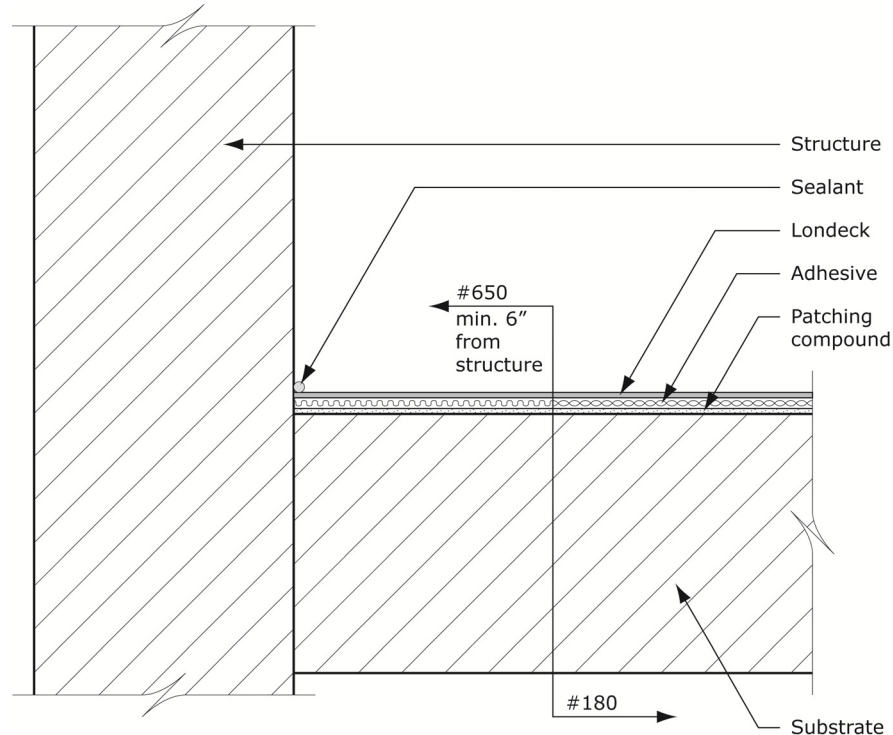


**Detail 8b – Vertical Termination @ Stucco Wall: Z Flashing**

## HORIZONTAL TERMINATIONS

Lonseal highly recommends terminating Londeck in a vertical position whenever possible. However, this may not always be the case depending on the site conditions.

1. Apply the #650 in a minimum 6 in. (15.2 mm) wide band along the perimeter of the structure. Use the #180 for the remaining areas in the field.
2. Place the Londeck into the adhesives and roll in both directions with a minimum 100 lb. (45.4 kg), three-section roller.
3. Trim the Londeck flush with the edge of the structure. If experiencing end curl, place plywood along the edge and weigh it down until the adhesive has cured.
4. Apply a bead of sealant where the Londeck meets the structure.



**Detail 9 – Horizontal Termination @ Structure**

## POSTS AND PENETRATIONS (DUCTS, PIPES, ETC.)

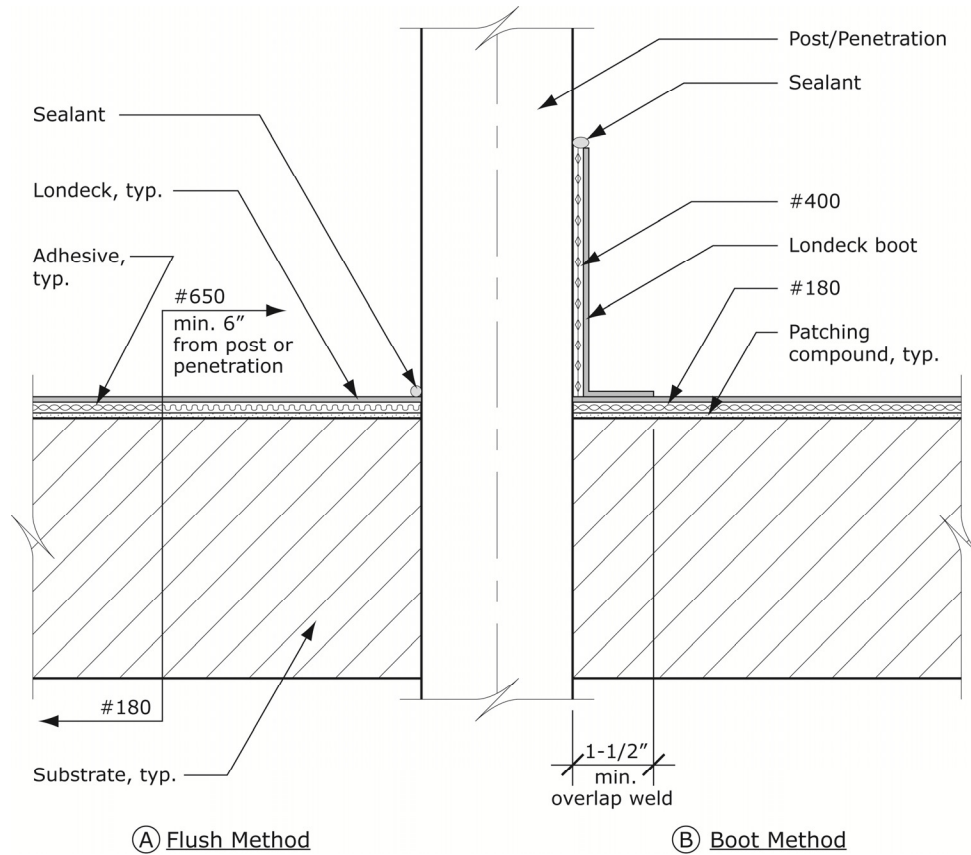
### *Flush Method (Details 10 & 11)*

1. Install Londeck in the horizontal areas up to the member (post or penetration).
2. If necessary, the Londeck may require a relief cut to fit securely around the member. The relief cut should be kept as straight and short as possible, out to the nearest sheet edge.
3. Using additional material cut a piece that is 3 in. (7.6 cm) wide minimum by the length of the relief cut.
4. Center the piece on the relief cut and complete an overlap weld at either side to seal the cut location.
5. Apply a bead of sealant where the Londeck meets the member.

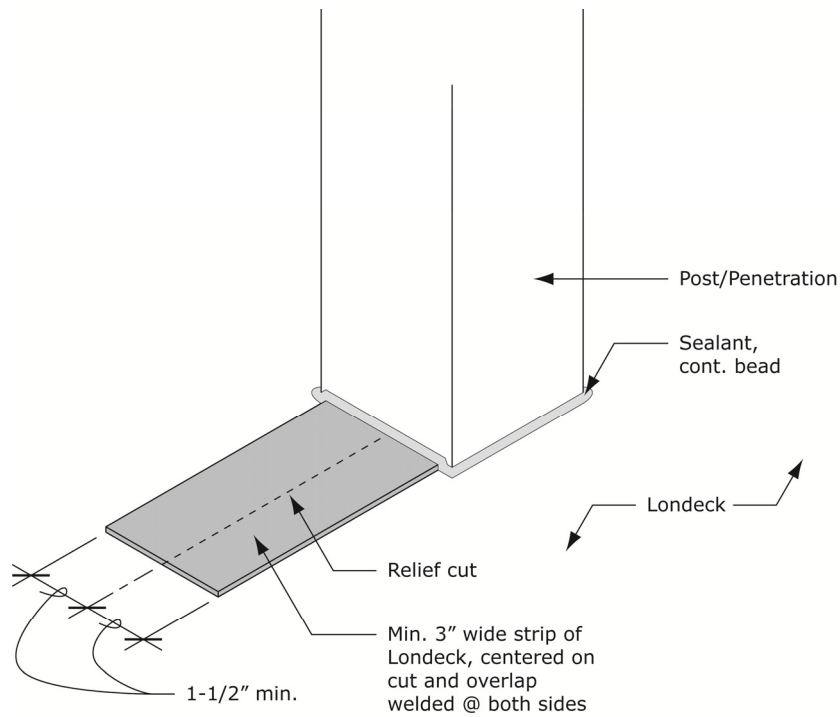
### *Boot Method (Details 10 & 12)*

1. Install Londeck in the horizontal areas up to the member (post or penetration)
2. If necessary, the Londeck may require a relief cut to fit securely around the member. The relief cut should be kept as straight and short as possible, out to the nearest sheet edge.

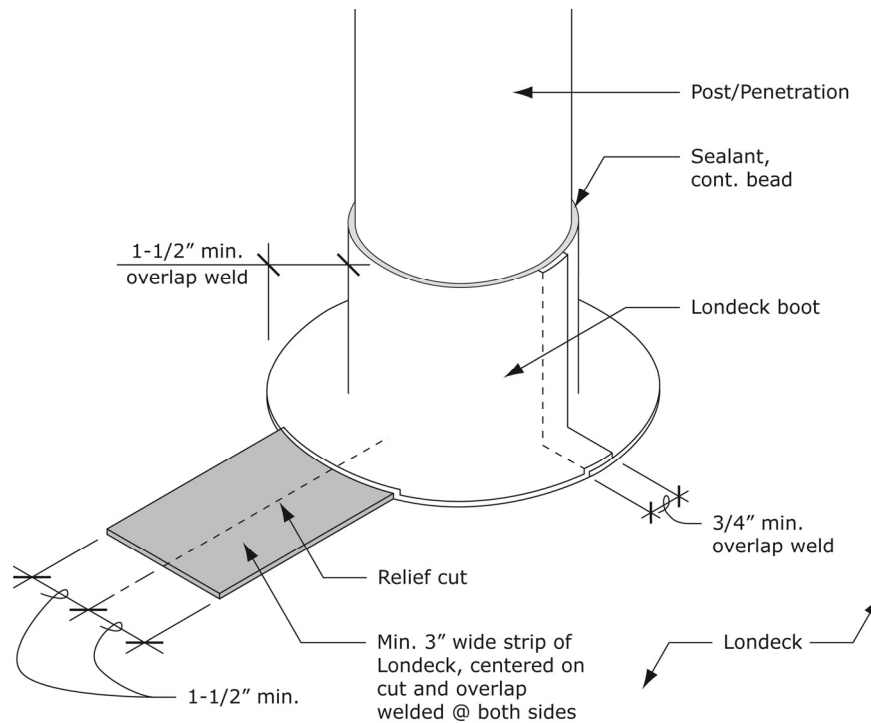
3. Using additional material cut a piece that is 5 1/2 in. (14.0 cm) high minimum by a length sufficient to wrap fully around the member plus 3/4 in. (19.1 mm). This will result in a piece that allows for the minimum 4 in. (10.2 cm) high boot and the necessary 1 1/2 in. (3.8 cm) overlap weld at the deck and the 3/4 in. (19.1 mm) vertical overlap weld of the boot.
4. Using the #400 only, apply a layer to the vertical surfaces of the member and the back of the Londeck, making sure to leave the overlap portions free of adhesive.
5. After allowing for adequate open time, roll the Londeck into the adhesive using a hand roller.
6. Once the #400 has cured, complete the overlap welds, and apply a bead of sealant at the top of the boot.



**Detail 10 – Post/Penetration**



**Detail 11 – Post/Penetration A: Flush Method**

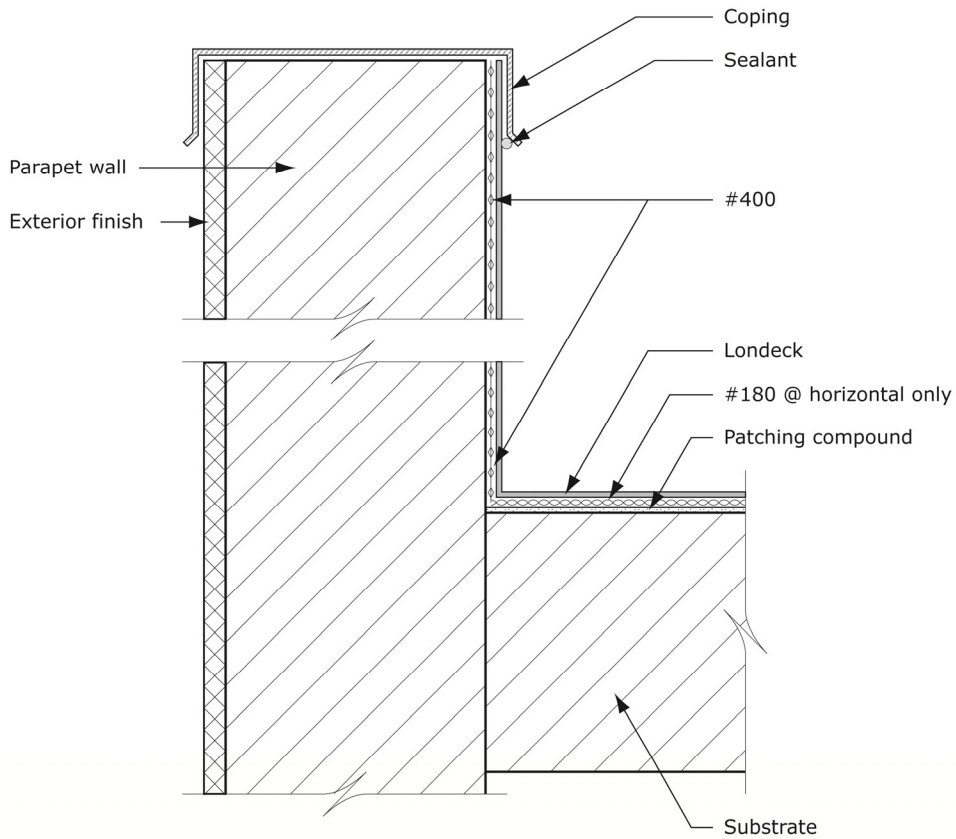


**Detail 12 – Post/Penetration B: Boot Method**

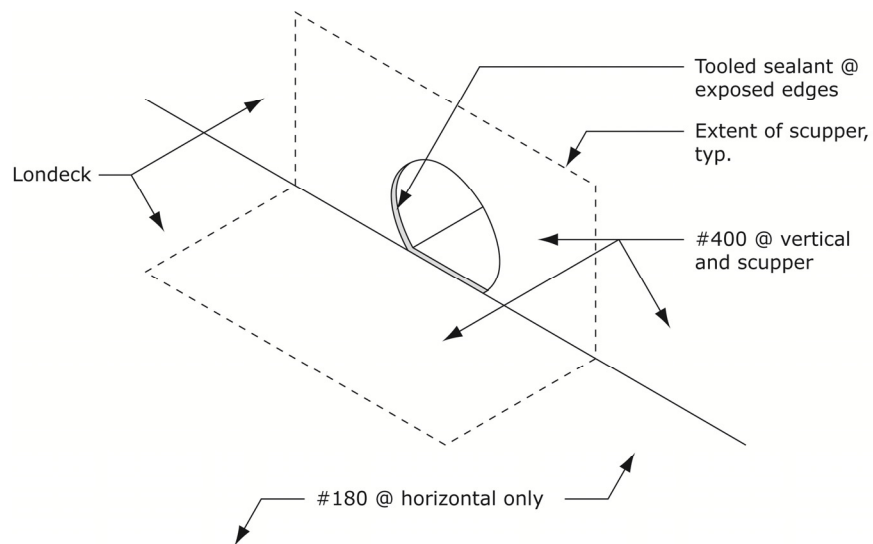


PARAPET WALLS

Londeck may be brought up the interior side of a parapet wall to any height with proper flashing as noted under *Vertical Terminations* on page 16, or taking it to the top beneath the coping in order to provide superior protection from leaks. See **Details 13 and 14.**



**Detail 13 - Parapet Wall**

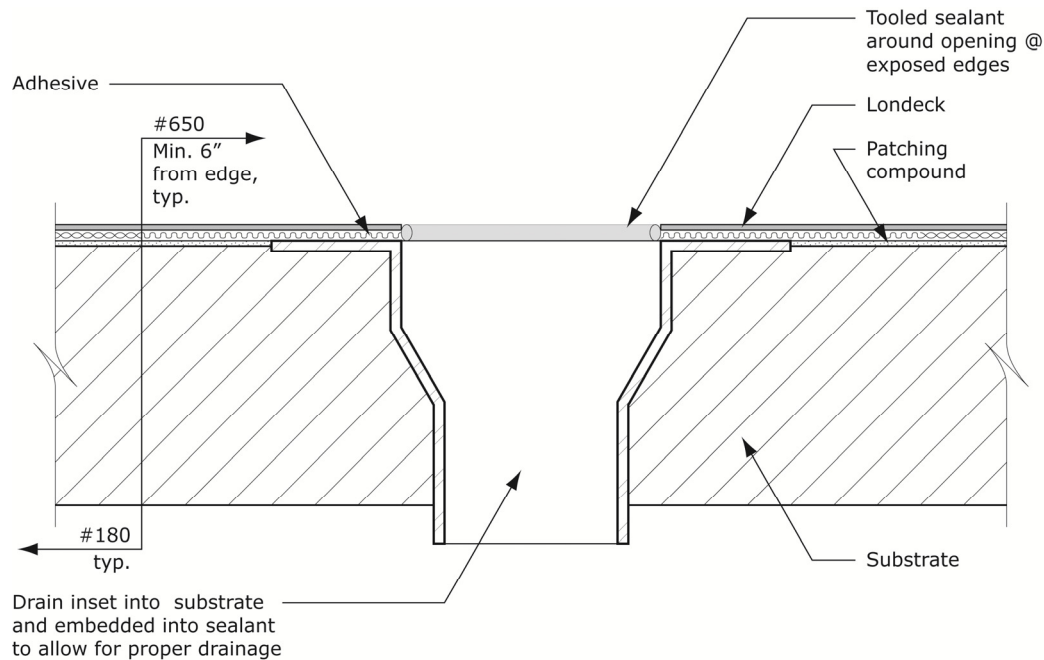


**Detail 14 - Scupper**

## DRAINS

1. Apply the #650 in a minimum 6 in. (15.2 mm) wide band along the perimeter of the drain. Use the #180 for the remaining areas in the field.
2. Place the Londeck into the adhesives and roll away from the drain using a minimum 100 lb. (45.4 kg), three-section roller.
3. Apply a bead of sealant around the perimeter of the opening to seal the exposed edge of the Londeck, and tool it as necessary to allow for proper drainage. See **Detail 15**.

**Note:** If installing a new drain, it is recommended that it be embedded in sealant during installation.



**Detail 15 – Floor/Area Drain**

## STAIRS

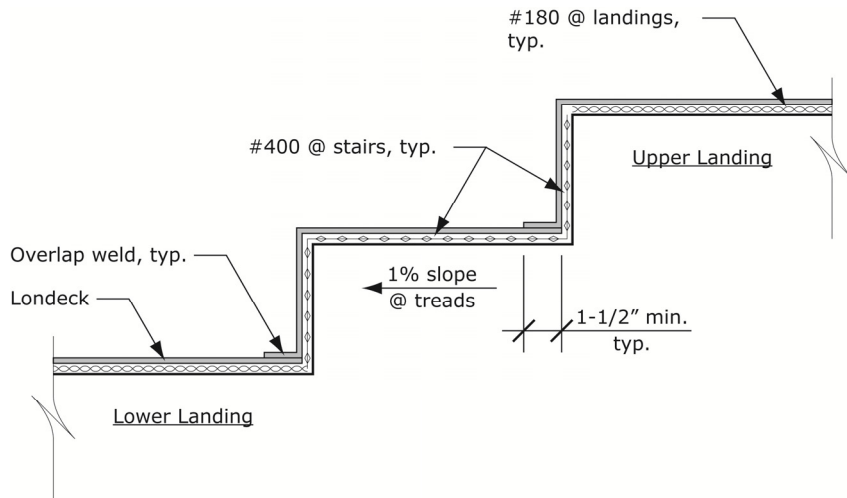
The following requirements are necessary for successful stair installations:

- ▶ Stair treads must have a 1.0% slope to ensure proper drainage.
- ▶ All seams must be overlap welded.
- ▶ Any nosings and fasteners must be embedded in sealant.
- ▶ Terminate any nosings 1 – 2 in. (2.5 – 5.1 cm) from the skirtboard, stringer, or wall to facilitate drainage.

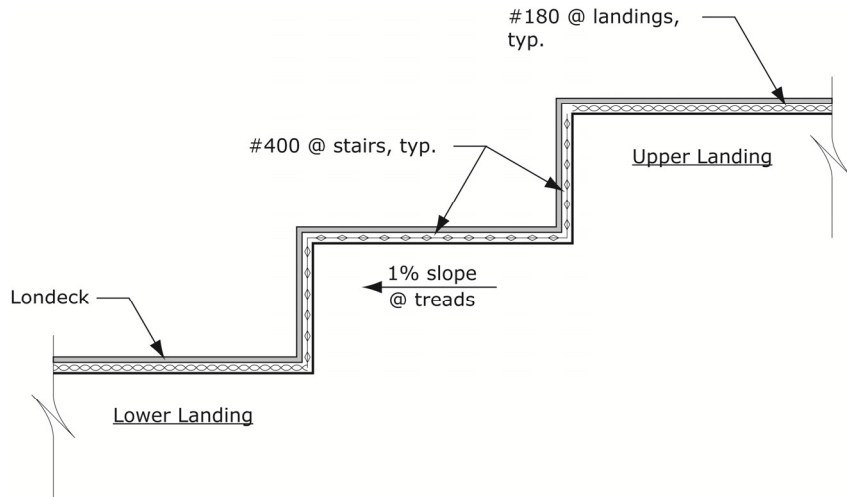
Londeck can be installed one step at a time (**Detail 16a**) or across many steps as one continuous sheet (**Detail 16b**). When installing single steps, the installation should begin at the lower landing and move upward to accommodate the required overlap welds. For a continuous installation, the starting point may depend on the layout and site conditions, but working from the upper landing downward may be easiest.

1. Apply #400 to the riser and tread of the first step and the back of the Londeck, making sure to leave any overlap portions free of adhesive. If installing as a continuous sheet, it may be best to install the first step only as an anchor point, before attempting multiple steps at a time. Additionally, due to the limited open time of the #400, working in small groups of steps is best.
2. After allowing for adequate open time, roll the Londeck into the adhesive using a hand roller, ensuring any overlaps are left on top.
3. Once the #400 has cured, complete the overlap welds, if present.

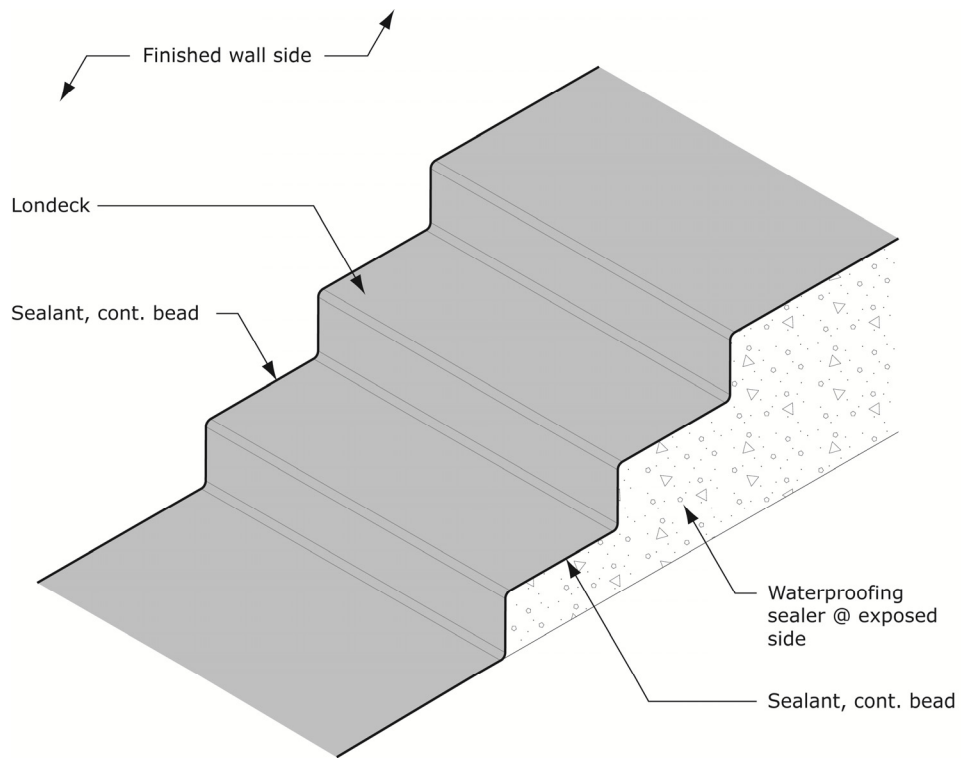
4. Apply a waterproofing sealer or coating at any exposed faces. For concrete stairs, this will include any exposed stringer sides, and for wood stairs, this will include any exposed faces of the wood framing members (skirtboards, stringers, tread or riser edges, etc.).
5. Apply a continuous bead of sealant at all the exposed edges of the Londeck and where the Londeck meets a wall or structure. Refer to **Detail 17** for concrete stairs and **Detail 18** for wood stairs.



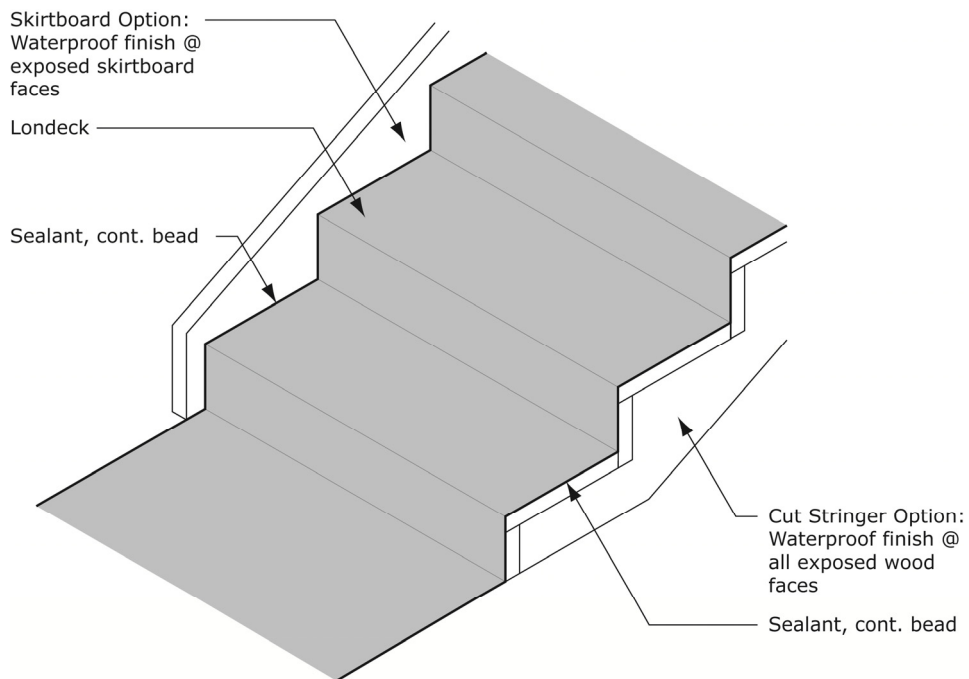
**Detail 16a – Individual Stairs**



**Detail 16b – Continuous Stairs**



**Detail 17 – Concrete Stairs**

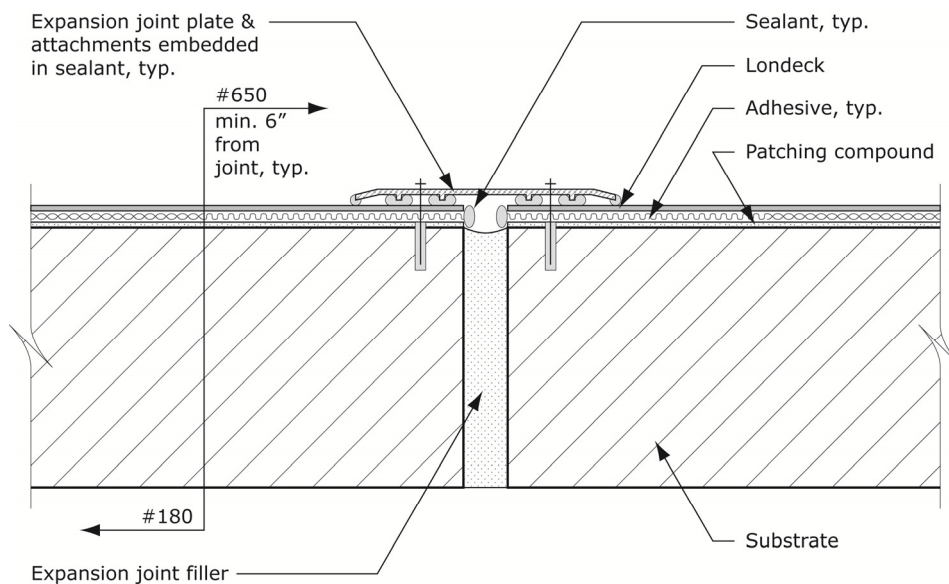


**Detail 18 – Wood Stairs**

## EXPANSION JOINTS

As noted under *Expansion Joints and Control Joints* on page 6, Londeck must not be installed over expansion joints. **Detail 19** illustrates a typical expansion joint cover installation, but the actual detail may vary based on the manufacturer's plate used and the slab's construction. Skip step 7 if the expansion joint will be left exposed.

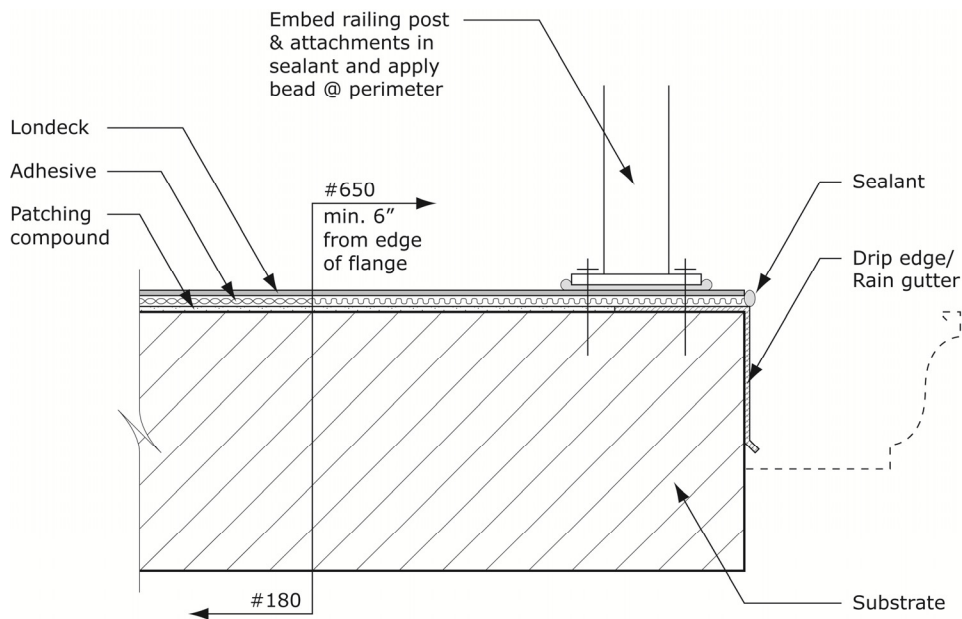
1. Cut the Londeck short of the expansion joint
2. Apply the #650 in a minimum 6 in. (15.2 cm) wide band along the length of the joint. Use the #180 for the remaining areas in the field.
3. Place the Londeck into the adhesives and roll away from the joint using a minimum 100 lb. (45.4 kg), three-section roller.
4. If experiencing end curl, place plywood along the edge and weigh it down until the adhesive has cured.
5. Apply a bead of sealant along the exposed edge of the Londeck.
6. Repeat steps 1 – 5 for the opposite side of the joint if continuing the Londeck on that side.
7. If using an expansion joint plate or transition, embed it into sealant where it comes into contact with the Londeck, along with any of its attachments through the Londeck.



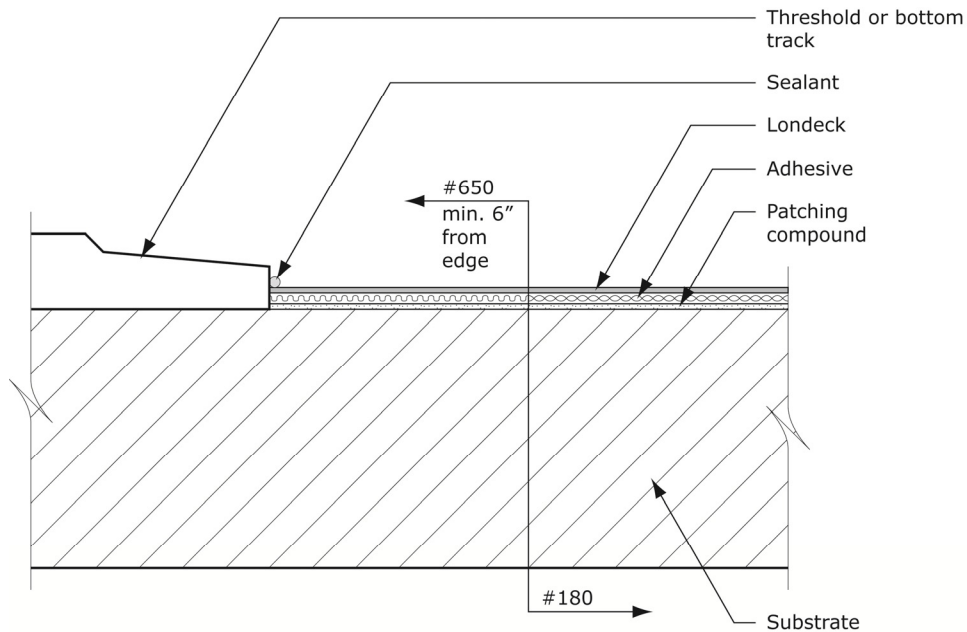
**Detail 19 – Expansion Joint**

ADDITIONAL DETAILS

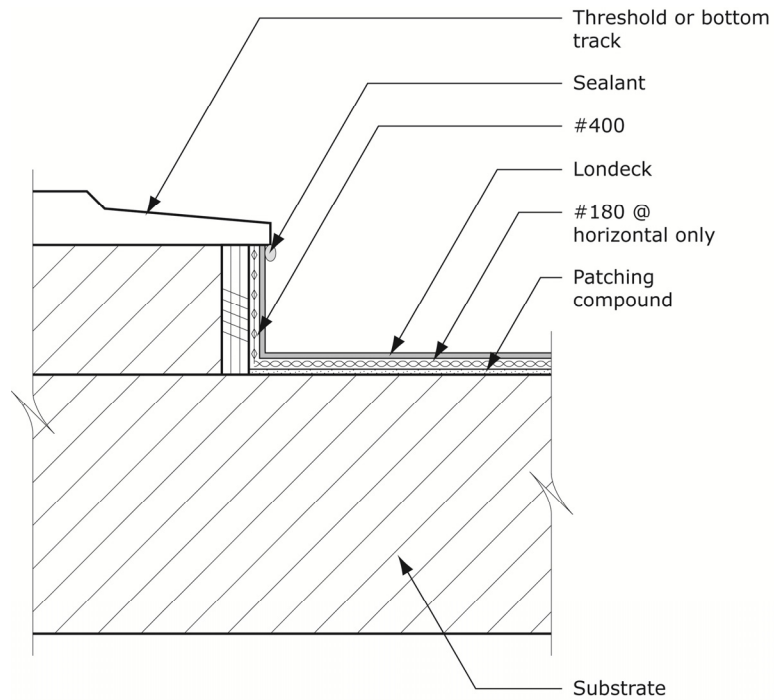
The following details show various conditions that may occur with a Londeck install. More conditions may exist beyond these details and others within this manual, but the combined information provided should allow a designer or installer to address them. If a condition exists that requires guidance, please contact Lonseal's Technical Department.



**Detail 20 – Metal Rail Post**



**Detail 21 – Flush Exterior Door Threshold**



**Detail 22 – Raised Exterior Door Threshold**

# AFTER INSTALLATION

## PROTECTING LONDECK

To reduce the chance of product damage or conflict with activities by other trades, Londeck should be the last finish material installed. Other trades must remain out of the work area and off the Londeck until the installation contractor advises it is safe to enter or at least 72 hours after installation. Where trade work must take place on or around Lonseal flooring after installation, provide adequate protective covering using 1/4 in. (6.4 mm) thick minimum plywood panels in order to protect the flooring from damage caused by ladders, scaffolding, and construction traffic.

Use of products such as cover guard<sup>®</sup>, Ram Board<sup>®</sup>, or similar may be suitable for light traffic or work only, as recommended by the manufacturer.

**Note:** Kraft paper with certain dyes can cause permanent staining on the surface of the flooring.

**Disclaimer:** Lonseal accepts no responsibility for damage caused to the flooring or installation by work performed on or around the installation area. Sole responsibility for properly protecting Londeck after it is installed belongs to the installation or general contractor, including any products used to protect the flooring or installation.

## MAINTENANCE

### ROUTINE MAINTENANCE

Londeck is maintained using trisodium phosphate (TSP), and is intended to be left unfinished.

1. Prepare the area to be cleaned by covering furniture, glass, and aluminum items; relocating them if possible.
2. For a mild solution, dilute 1/4 cup (59.1 mL) of TSP in 1 gallon (0.9 L) of warm water. For stronger solutions, use 1/2 – 3/4 cup (118.3 – 177.4 mL).
3. Apply the solution to the Londeck and scrub vigorously with a deck brush. If the area is large enough, a low-speed rotary machine or auto-scrubber equipped with scrubbing brushes may be used.
4. Thoroughly rinse the area with clean water.

**Note:** Chemicals found in asphalt, certain types of rubber, and food oils can permanently stain Londeck. Animal droppings may also contain berries that could stain Londeck and should be hosed off immediately. Londeck will oxidize very slightly over time.

**Disclaimer:** Do not apply any type of dressing to Londeck such as Armor All<sup>®</sup>, waxes, or interior floor finish. This can cause Londeck to become very slick and unsafe, increase the frequency of maintenance, discolor over time, or attract soiling. Refer to *Alternate Maintenance Options* below if interested in applying a finish to Londeck.

### SNOW

For installations of Londeck in areas which receive snow, the following options are recommended:

- ▶ Clear away the snow with a plastic snow shovel only. Metal shovels may result in accidental cutting or gouging of the Londeck.
- ▶ De-icing salts may be used, but should be thoroughly cleaned off as soon as the weather allows, following the *Routine Maintenance* instructions above.

### ALTERNATE MAINTENANCE OPTIONS

Select finishes may be applied to Londeck, but they must be specifically designed for exterior use and compatible with sheet vinyl flooring. If a finish is desired, please contact Lonseal's Technical Department for recommendations.

## REPAIRS

### MINOR CUTS OR GOUGES

If the cut or gouge has not completely gone through the Londeck, use a heat welding gun, wide slot nozzle, and Teflon roller to re-seal the area. A bullet nozzle on the heat welding gun may also be used.

### MINOR BURNS



Scrape away any charred material and sand the area with 60 grit sandpaper. If the burn has not exposed the backing layer, nothing else needs to be done. If the backing layer is exposed, the damaged section will need to be replaced following the instructions noted under *Major Cuts, Gouges, or Burns* below.

#### MAJOR CUTS, GOUGES, OR BURNS

1. Cut around the affected area and remove the damaged Londeck.
2. Clean, repair, and prepare the substrate as necessary.
3. Prepare the replacement piece of Londeck from matching material that is cut a minimum of 1 1/2 in. (3.9 cm) beyond the removed area to create an overlap around the entire patch.
4. Apply the appropriate adhesive to the substrate based on the installation area's requirements noted in this manual.
5. After allowing for adequate open time, place the Londeck into the adhesive, and roll using a minimum 100 lb. (45.4 kg), three-section roller. If the repair area is small, a silicone hand roller may be used, but extra force must be applied to ensure strong positive contact.
6. After allowing the adhesive to cure, complete the overlap welds and apply sealant if necessary.

---

# CONTACTING LONSEAL

## PLACING ORDERS

Please fax your completed Purchase Order to Customer Service at 888-LONSEAL (888.566.7985) or send by email to [orders@lonseal.com](mailto:orders@lonseal.com). Lonseal is unable to take orders over the phone.

## REQUESTING SAMPLES

Please call 800.832.7111 or visit our website at [www.lonseal.com](http://www.lonseal.com).

## GENERAL INFORMATION

928 East 238th Street  
Carson, California 90745

Toll Free (USA Only): 800.832.7111  
Phone: 310.830.7111  
Fax: 310.830.9986  
E-mail: [orders@lonseal.com](mailto:orders@lonseal.com)

## TECHNICAL SUPPORT

There are many non-standard applications or installations that require prior approval of Lonseal's Technical Department in order for warranty terms to apply. Please contact the Technical Department for assistance using the following methods:

### **EMAIL** [technical@lonseal.com](mailto:technical@lonseal.com)

Please include the words, "TECH SUPPORT" in all caps in the subject line of your email.

### **ONLINE** Contact us via the website at [www.lonseal.com](http://www.lonseal.com).

Click on Contact Us. Please include "TECH SUPPORT" in all caps at the start of the Comments/Questions field.

### **FAX** 310.830.9986

Please include "TECH SUPPORT" in all caps in the subject line.

# TABLES, DETAILS, AND FIGURES INDEX

Dew Point Calculator.....	4
Detail 1 –Drip Edge/Rain Gutter .....	13
Detail 2 – Upholstered Edge.....	14
Detail 3 – Wrapped Fascia .....	14
Detail 4 – Vertical Termination .....	16
Detail 5 – Vertical Termination @ Termination Bar .....	17
Detail 6 – Vertical Termination @ Concrete Wall.....	18
Detail 7 – Vertical Termination @ Masonry/CMU Wall.....	18
Detail 8a – Vertical Termination @ Stucco Finish: Diato Flashing .....	19
Detail 8b – Vertical Termination @ Stucco Wall: Z Flashing.....	19
Detail 9 – Horizontal Termination @ Structure .....	20
Detail 10 – Post/Penetration .....	21
Detail 11 – Post/Penetration A: Flush Method .....	22
Detail 12 – Post/Penetration B: Boot Method .....	22
Detail 13 – Parapet Wall.....	23
Detail 14 – Scupper .....	23
Detail 15 – Floor/Area Drain .....	24
Detail 16a – Individual Stairs .....	25
Detail 16b – Continuous Stairs .....	25
Detail 17 – Concrete Stairs .....	26
Detail 18 – Wood Stairs.....	26
Detail 19 – Expansion Joint.....	27
Detail 20 – Metal Rail Post.....	28
Detail 21 – Flush Exterior Door Threshold .....	28
Detail 22 – Raised Exterior Door Threshold .....	29
Figure 1 .....	10
Figure 2.....	10
Figure 3 .....	11
Figure 4.....	11
Figure 5a .....	12
Figure 5b .....	12
Figure 5c.....	12
Figure 6.....	15
Figure 7a .....	16
Figure 7b .....	16